

<http://www.parsun.com.cn>

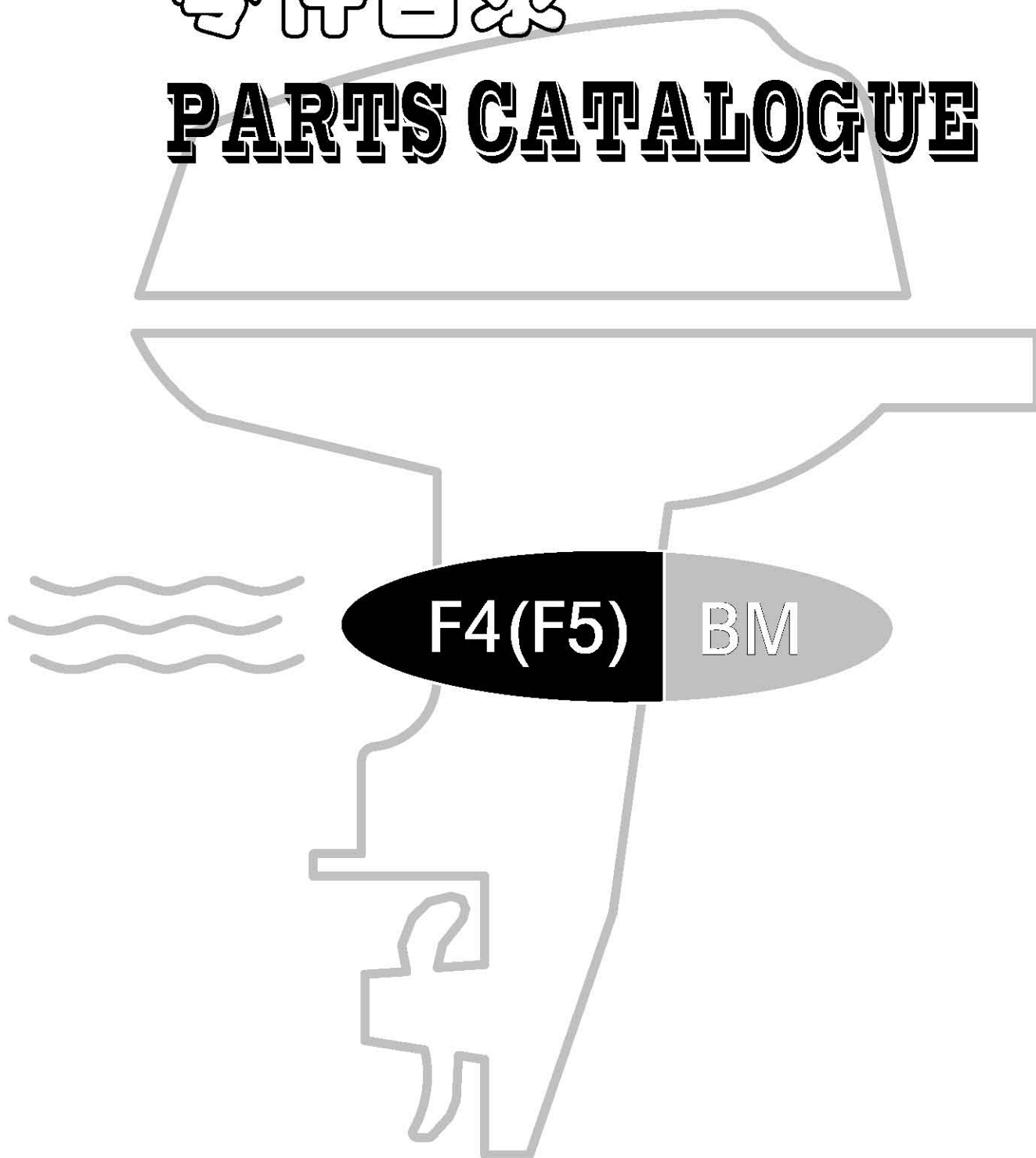
**PARSUN**

**2009**

**百胜**

**零件目录**

**PARTS CATALOGUE**



苏州百胜动力机器有限公司

SUZHOU PARSUN POWER MACHINE CO., LTD

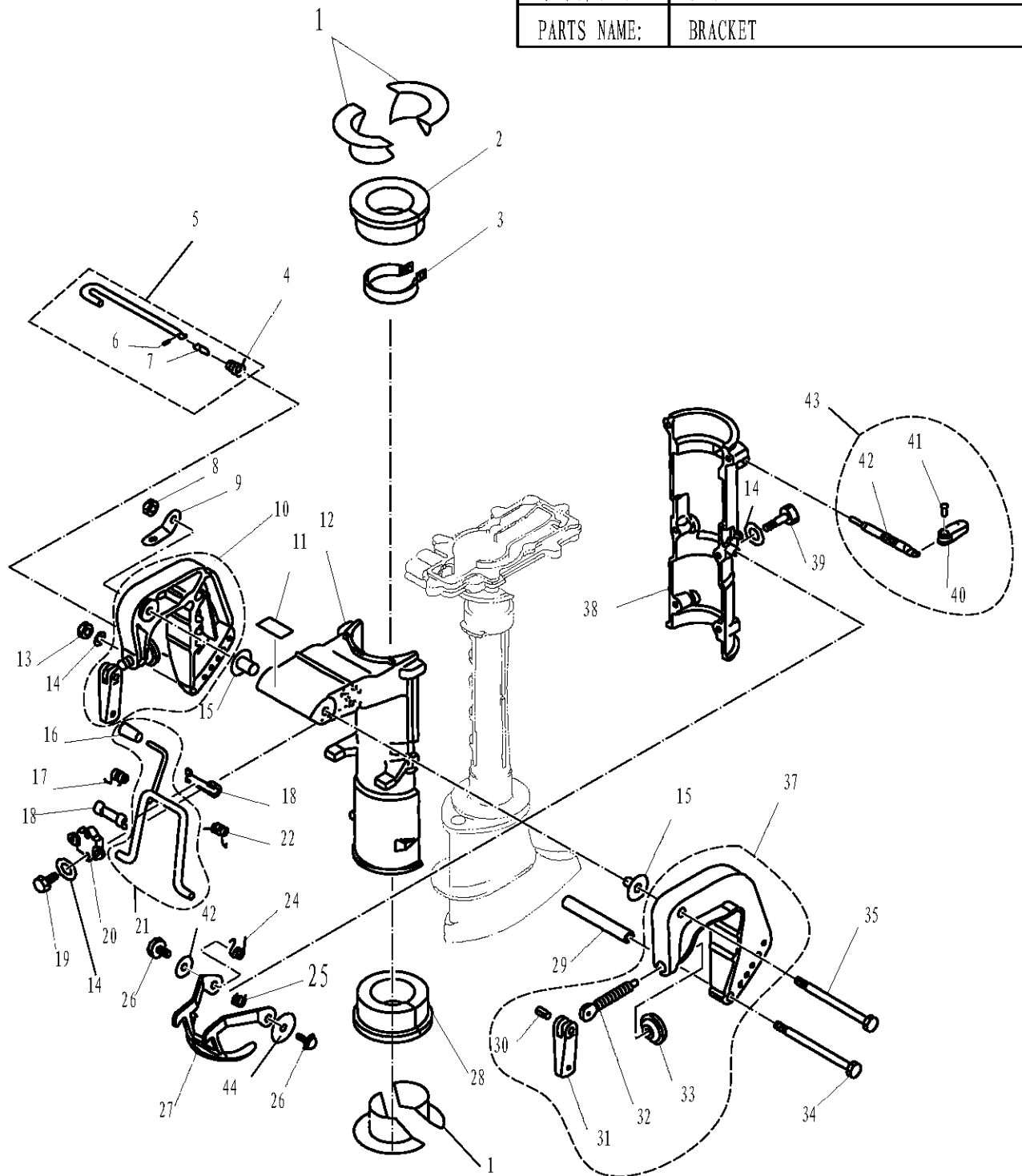
# 目录 CONTENTS

|                                  |       |
|----------------------------------|-------|
| 控制系统                             | 1     |
| CONTROL                          | 1     |
| 托架                               | 2~3   |
| BRACKET                          | 2~3   |
| 操舵系统                             | 4~5   |
| STEERING                         | 4~5   |
| 水上装置壳体                           | 6     |
| UPPER CASING                     | 6     |
| 水下驱动组件                           | 7~8   |
| LOWER DRIVE ASSY                 | 7~8   |
| 水下装置壳体&驱动系统                      | 9     |
| LOWER CASING & DRIVE             | 9     |
| 点火系统                             | 10    |
| IGNITOR ASSY                     | 10    |
| 气缸&曲轴箱1                          | 11~12 |
| CYLINDER & CRANKCASE 1           | 11~12 |
| 曲轴&活塞                            | 13    |
| CRANKSHAFT & PISTON              | 13    |
| 凸轮轴&阀门                           | 14    |
| CAMSHAFT & VALVE                 | 14    |
| 气缸&曲轴箱2                          | 15    |
| CYLINDER & CRANKCASE 2           | 15    |
| 燃油系统                             | 16~17 |
| FUEL                             | 16~17 |
| 进气系统                             | 18    |
| INTAKE                           | 18    |
| 内燃油箱                             | 19    |
| INNER FUEL TANK                  | 19    |
| 起动机组件                            | 20~21 |
| STARTER                          | 20~21 |
| 底罩                               | 22    |
| BOTTOM COWLING                   | 22    |
| 顶罩                               | 23    |
| TOP COWLING                      | 23    |
| 外燃油箱(12L)                        | 24    |
| OUTER FUEL TANK (12L)            | 24    |
| 气缸头总成(修理件)                       | I     |
| CYLINDER HEAD ASSY (REPAIRE KIT) | I     |
| 发动机头组件(修理件)                      | II~IV |
| ENGINE ASSY (REPAIRE KIT)        | II~IV |
| 附录(修理件)                          | V~VI  |
| APPENDIX (REPAIRE KIT)           | V~VI  |



零部件名称: 托架

PARTS NAME: BRACKET



| SN.<br>参照号码 | PART NO.<br>零件编号 | DESCRIPTION<br>零件名称(中文) | DESCRIPTION<br>零件名称(英文) | QTY<br>数量 |  |  |  | REMARKS<br>备注 |
|-------------|------------------|-------------------------|-------------------------|-----------|--|--|--|---------------|
| 1           | F4-0200008       | 减震圈衬管                   | BUSH , SHOCK ABSORPTION | 4         |  |  |  |               |
| 2           | F4-0200007       | 上减震圈                    | TOP , SHOCK ABSORPTION  | 1         |  |  |  |               |
| 3           | F4-0202000       | 水上装置锁紧圈组件               | UPPER LOCKING RING ASSY | 1         |  |  |  |               |
| 4           | F4-01050002      | 锥形弹簧                    | SPRING , CONICAL        | 1         |  |  |  |               |
| 5           | F4-01050000      | 角度调整杆组件                 | TILT ROD ASSY           | 1         |  |  |  |               |

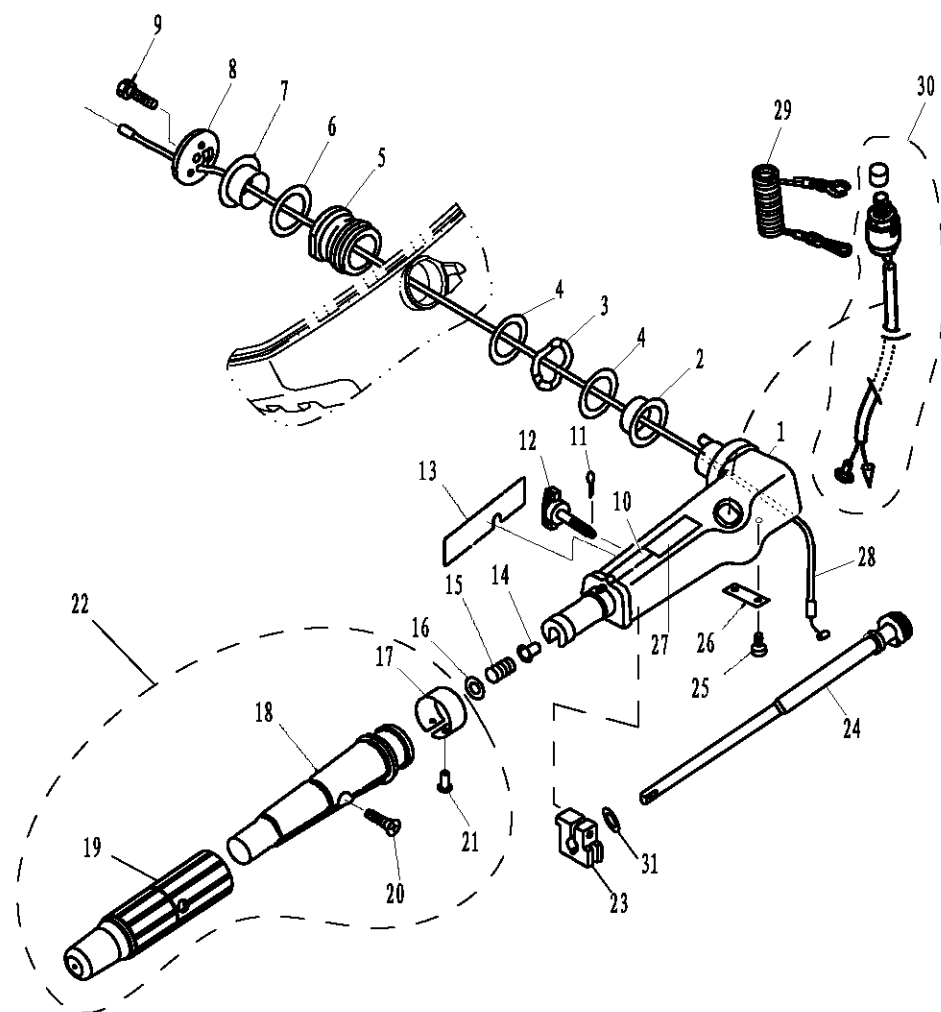


零部件名称:

操舵系统

PARTS NAME:

STEERING



| SN.<br>参照号码 | PART NO.<br>零件编号 | DESCRIPTION<br>零件名称(中文) | DESCRIPTION<br>零件名称(英文)  | QTY<br>数量 |  |  |  | REMARKS<br>备注 |
|-------------|------------------|-------------------------|--------------------------|-----------|--|--|--|---------------|
| 1           | F4-01090001      | 操舵手柄                    | HANDLE, STEERING         | 1         |  |  |  |               |
| 2           | F4-01000009      | 操舵手柄衬套A                 | BUSING, HANDTE A         | 1         |  |  |  |               |
| 3           | F4-01000012      | 手柄衬套波形垫圈                | BUSH                     | 1         |  |  |  |               |
| 4           | F4-01000010      | 衬套垫圈B                   | WASHER, BUSHING B        | 2         |  |  |  |               |
| 5           | F4-05000014      | 操舵手柄减震器                 | BUSHING, RABBER          | 1         |  |  |  |               |
| 6           | F4-01000011      | 衬套垫圈A                   | WASHER BUSHING A         | 1         |  |  |  |               |
| 7           | F4-01000008      | 操舵手柄衬套B                 | BUSHING                  | 1         |  |  |  |               |
| 8           | F4-01000014      | 操舵手柄盖板                  | COVER, HANDLE STEERING   | 1         |  |  |  |               |
| 9           | GB/T578-M8x25    | 六角头螺栓M8x25              | BOLT M8 × 25             | 1         |  |  |  |               |
| 10          | F4-08000014      | 标贴14                    | MARK 14                  | 1         |  |  |  |               |
| 11          | GB/T91-1.6x12    | 开口销φ1.6x12              | PIN, COTTER φ1.6x12      | 1         |  |  |  |               |
| 12          | F4-01090200      | 阻力调整旋钮组件                | BOLT, FRICTION ADJUSTING | 1         |  |  |  |               |
| 13          | F4-08000012      | 标贴12                    | MARK 12                  | 1         |  |  |  |               |
| 14          | F4-01090006      | 衬套                      | BUSH                     | 1         |  |  |  |               |
| 15          | F4-01090007      | 压缩弹簧                    | SPRING, COMPRESSION      | 1         |  |  |  |               |
| 16          | GB/T848-10       | 小垫圈10                   | SMALL WASHER 10          | 1         |  |  |  |               |
| 17          | F4-01090303      | 油门标志牌                   | INDICATOR THROTTLE       | 1         |  |  |  |               |
| 18          | F4-01090301      | 操舵手柄塑胶套                 | GRIP, STEERING HARDLE    | 1         |  |  |  |               |
| 19          | F4-01090302      | 操舵手柄橡胶套                 | RUBBER, HANDLE           | 1         |  |  |  |               |
| 20          | GB/T820-M5x25    | 十字槽半沉头螺钉M5x25           | SCREW M5 × 25            | 1         |  |  |  |               |





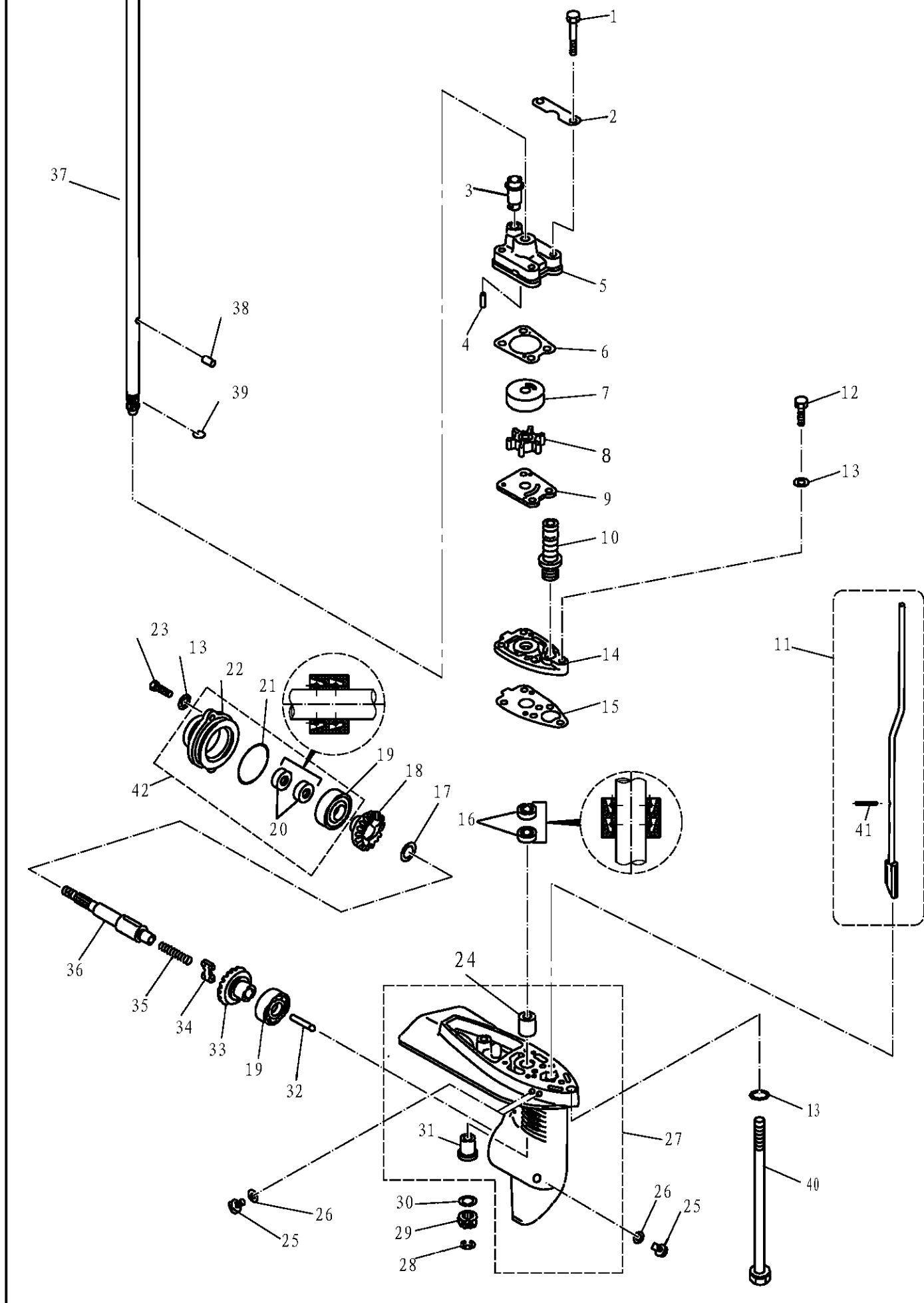


零部件名称:

水下驱动组件

PARTS NAME:

LOWER DRIVE ASSY



零部件名称:

水下驱动组件

PARTS NAME:

LOWER DRIVE ASSY

| SN.<br>参照号码 | PART NO.<br>零件编号 | DESCRIPTION<br>零件名称(中文) | DESCRIPTION<br>零件名称(英文)  | QTY<br>数量 |  |  |  |  | REMARKS<br>备注 |
|-------------|------------------|-------------------------|--------------------------|-----------|--|--|--|--|---------------|
| 1           | GB/T5782-M6x45   | 六角头螺栓M6×45              | BOLT M6×45               | 4         |  |  |  |  |               |
| 2           | F4-03000020      | 泵壳固定板                   | PLATE ,WATER PUMP FIXED  | 2         |  |  |  |  |               |
| 3           | F4-03000021      | 泵壳橡胶管                   | RUBBER TUBE ,WATER PUMP  | 1         |  |  |  |  |               |
| 4           | F4-03000013      | 水泵座定位销                  | PIN ,WATER PUMP          | 2         |  |  |  |  |               |
| 5           | F4-03000019      | 水泵壳                     | HOUSING ,WATER PUMP      | 1         |  |  |  |  |               |
| 6           | F4-03000018      | 泵壳密封垫                   | GASKET ,WATER PUMP COVER | 1         |  |  |  |  |               |
| 7           | F4-03000017      | 水泵内壳                    | COVER ,INNER WATER PUMP  | 1         |  |  |  |  |               |
| 8           | F4-03060000      | 水泵叶轮                    | IMPELLER ,WATER PUMP     | 1         |  |  |  |  |               |
| 9           | F4-03000015      | 外档板                     | OUT PLATE                | 1         |  |  |  |  |               |
| 10          | F4-03000014      | 变档橡胶护套(含弹簧)             | RUBBER JACKET ,SHIFT ROD | 1         |  |  |  |  |               |
| 11          | F4-03020000      | 变档凸轮组件                  | CAM ASSY ,SHIFT ROD      | 1         |  |  |  |  | L             |
|             | F4-03020000S     | 变档凸轮组件                  | CAM ASSY ,SHIFT ROD      | 1         |  |  |  |  | S             |
| 12          | GB/T5783-M6x25   | 六角头螺栓M6×25              | BOLT M6×25               | 1         |  |  |  |  |               |
| 13          | GB/T97.1-6       | 平垫圈6                    | WASHER 6                 | 5         |  |  |  |  |               |
| 14          | F4-03000012      | 水泵座                     | BASE ,WATER PUMP         | 1         |  |  |  |  |               |
| 15          | F4-03000011      | 水泵座密封垫                  | HERMETIC GASKET          | 1         |  |  |  |  |               |
| 16          | F4-03000027      | 油封 10.8×21×7            | OIL SEAL                 | 2         |  |  |  |  |               |
| 17          | F4-03000009      | 倒档齿轮垫圈                  | WASHER ,REVERSE GEAR     | 1         |  |  |  |  |               |
| 18          | F4-03040000      | 倒档齿轮组件                  | REVERSE GEAR ASSY        | 1         |  |  |  |  |               |
| 19          | GB/T276-6004C2   | 深沟球轴承6004C2             | BEARING 6004C2           | 2         |  |  |  |  |               |
| 20          | F4-03050002      | 油封13×22×7               | OIL SEAL                 | 2         |  |  |  |  |               |
| 21          | JISB2401-P48     | 水下装置壳体盖O形圈              | O-RING P48               | 1         |  |  |  |  |               |
| 22          | F4-03050001      | 水下装置壳体盖                 | COVER ,LOWER CASING      | 1         |  |  |  |  |               |
| 23          | GB/T5783-M6x20   | 六角头螺栓M6×20              | HEXAGON BOLT M6×20       | 2         |  |  |  |  |               |
| 24          | F4-03000003      | 不带档边筒形轴承                | BEARING                  | 1         |  |  |  |  |               |
| 25          | F4-03000023      | 注油孔螺塞                   | PLUG ,OIL HOLE           | 3         |  |  |  |  |               |
| 26          | F4-03000024      | 注油孔螺塞密封垫                | GASKET                   | 3         |  |  |  |  |               |
| 27          | F4-03000001      | 水下装置壳体                  | LOWER CASING             | 1         |  |  |  |  |               |
| 28          | GB/T896-6        | 开口档圈6                   | CIRCLIP 6                | 1         |  |  |  |  |               |
| 29          | F4-03000007      | 主动齿轮                    | INITIATIVE GEAR          | 1         |  |  |  |  |               |
| 30          | F4-03000006      | 主动齿轮垫圈                  | WASHER ,INITIATIVE GEAR  | 1         |  |  |  |  |               |
| 31          | F4-03000002      | 带档边筒形轴承                 | BEARING                  | 1         |  |  |  |  |               |
| 32          | F4-03000008      | 变档柱塞                    | PLUGER ,SHIFT            | 1         |  |  |  |  |               |
| 33          | F4-03010000      | 正档齿轮组件                  | POSITIVE GEAR ASSY       | 1         |  |  |  |  |               |
| 34          | F4-03030002      | 离合器块                    | CLUTCH BLOCK             | 1         |  |  |  |  |               |
| 35          | F4-03030003      | 离合器块压簧                  | SPRING ,CLUTCH BLOCK     | 1         |  |  |  |  |               |
| 36          | F4-03030001      | 螺旋桨轴                    | SHAFT ,PROPELLER         | 1         |  |  |  |  |               |
| 37          | F4-03000004      | 驱动轴                     | SHAFT ,DRIVE             | 1         |  |  |  |  | L             |
|             | F4-03000004S     | 驱动轴                     | SHAFT ,DRIVE             | 1         |  |  |  |  | S             |
| 38          | F4-03000016      | 叶轮定位销                   | PIN                      | 2         |  |  |  |  |               |
| 39          | F4-03000005      | 轴用钢丝档圈                  | CLIP                     | 1         |  |  |  |  |               |
| 40          | GB/T5782-M6x170  | 六角头长螺栓M6×170            | BOLT M6×170              | 2         |  |  |  |  | L(S: M6×40)   |
| 41          | GB/T879.2-2.5x20 | 弹性圆柱销 φ2.5×20           | PIN ,SPRING φ2.5×20      | 1         |  |  |  |  |               |
| 42          | F4-03050000      | 水下装置壳体盖组件               | COVER ASSY ,LOWER CASING | 1         |  |  |  |  |               |



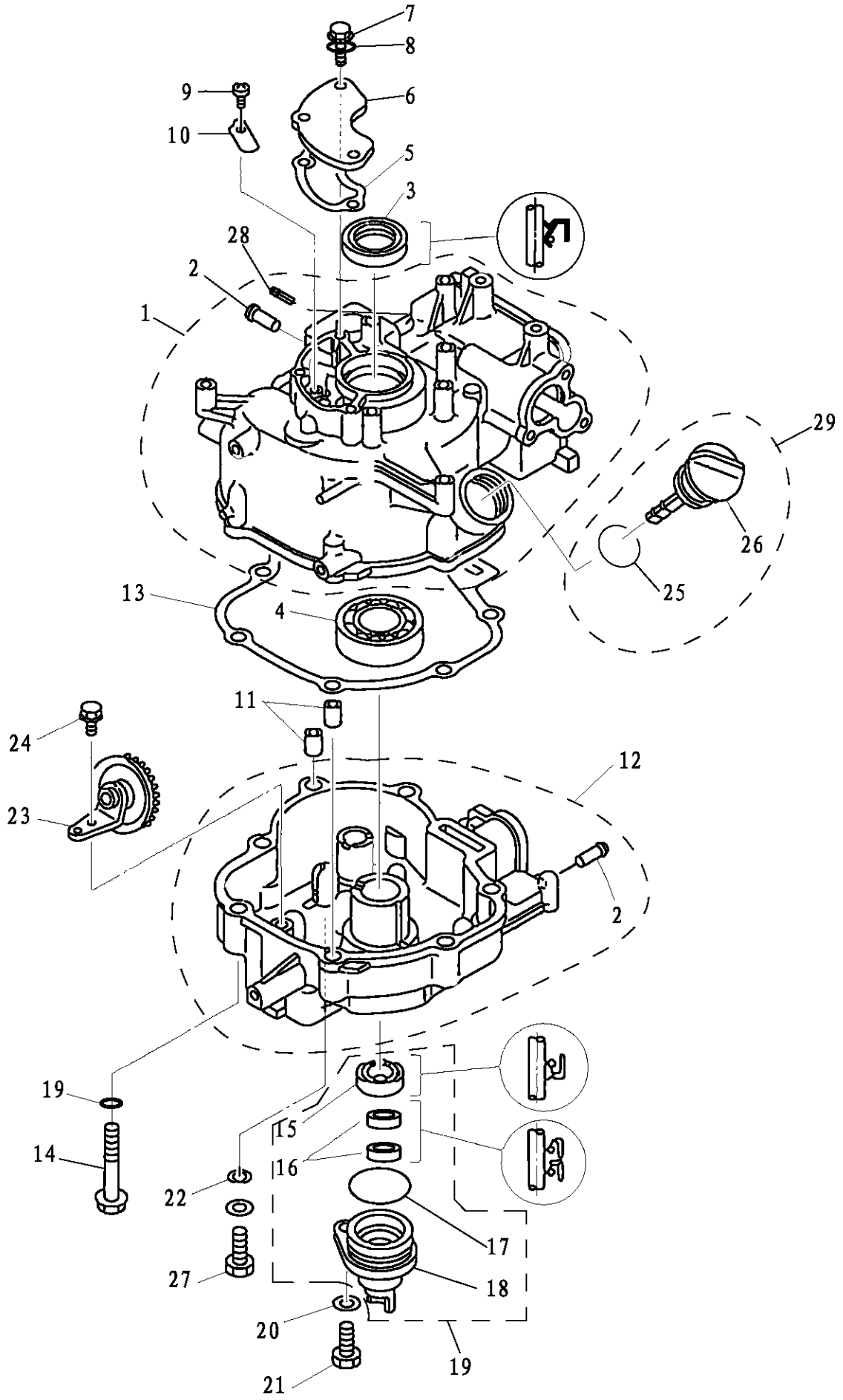


零部件名称:

气缸&曲轴箱1

PARTS NAME:

CYLINDER & CRANKCASE 1





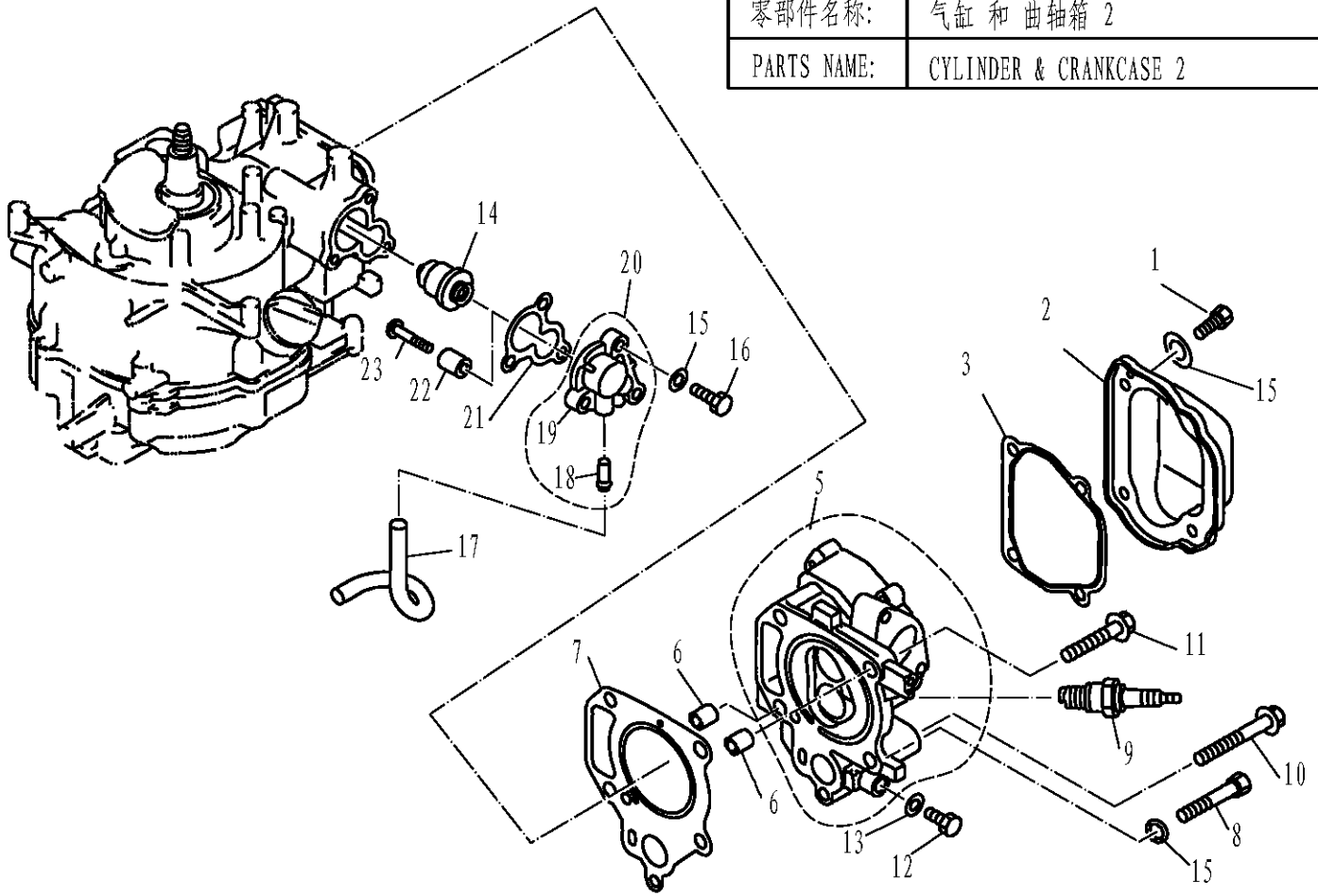






零部件名称: 气缸和曲轴箱 2

PARTS NAME: CYLINDER &amp; CRANKCASE 2



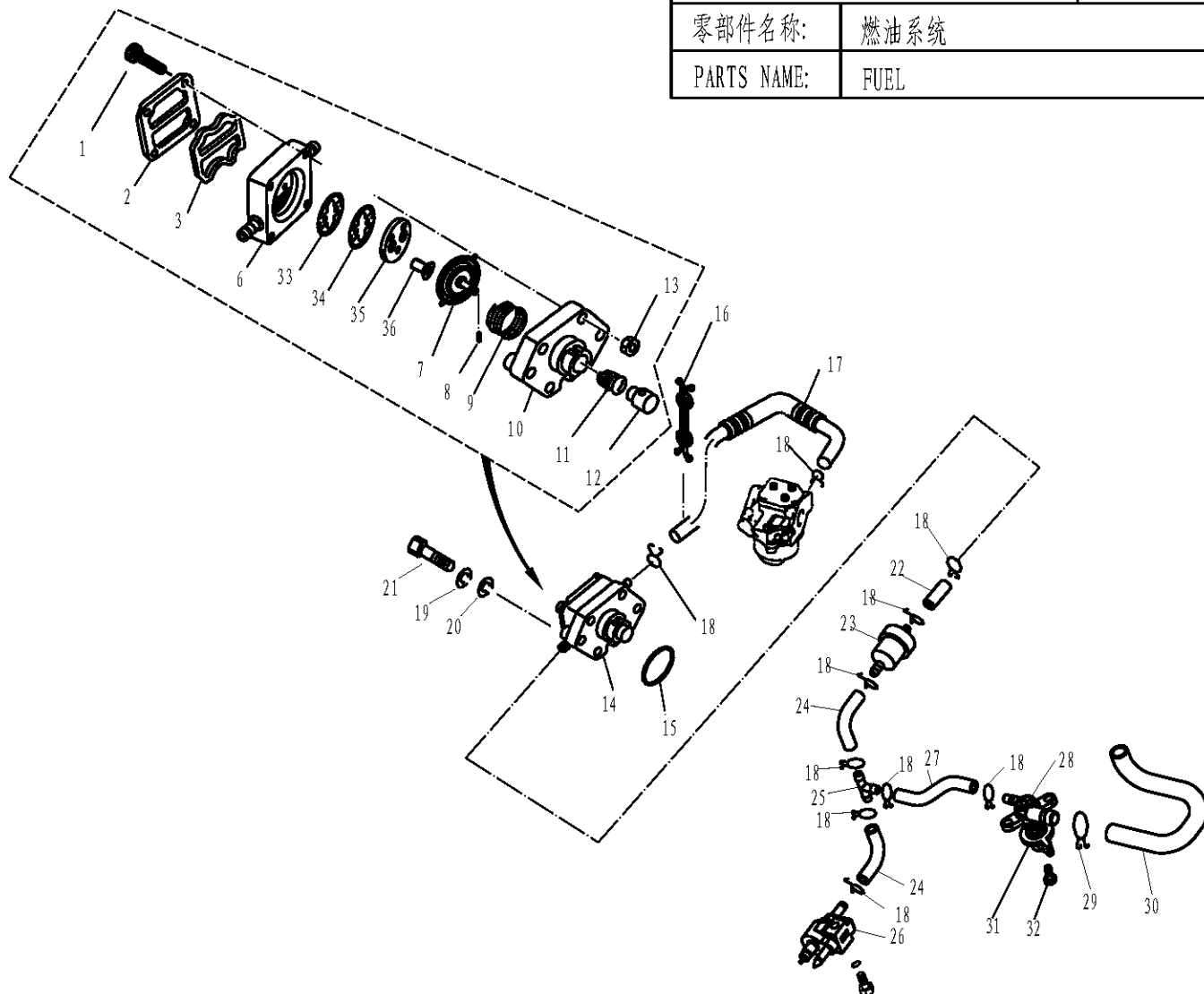
| SN.<br>参照号码 | PART NO.<br>零件编号 | DESCRIPTION<br>零件名称(中文) | DESCRIPTION<br>零件名称(英文)    | QTY<br>数量 |  |  |  |  | REMARKS<br>备注 |
|-------------|------------------|-------------------------|----------------------------|-----------|--|--|--|--|---------------|
| 1           | GB/T5783-M6x16   | 六角头螺栓M6×16              | BOLT M6×16                 | 4         |  |  |  |  |               |
| 2           | F4-04000018      | 缸头罩                     | COVER ,CYLINDER HEAD       | 1         |  |  |  |  |               |
| 3           | F4-04000017      | 缸头罩密封垫                  | GASKET ,CYLINDER COVER     | 1         |  |  |  |  |               |
| 4           |                  |                         |                            |           |  |  |  |  |               |
| 5           | F4-04080100      | 气缸头组件                   | CYLINDER HEAD ASSY         | 1         |  |  |  |  |               |
| 6           | F4-04000003      | 空心定位销                   | PIN ,HOLLOW                | 2         |  |  |  |  |               |
| 7           | F4-04000014      | 缸头复合垫                   | GASKET ,CYLINDER HEAD      | 1         |  |  |  |  |               |
| 8           | GB/T5782-M6x45   | 六角螺栓M6×45               | BOLT M6x45                 | 1         |  |  |  |  |               |
| 9           | BPR7HS           | 火花塞                     | PLUG ,SPARK                | 1         |  |  |  |  |               |
| 10          | F4-04000034      | 气缸头螺栓B                  | BOLT ,CYLINDER HEAD "A"    | 3         |  |  |  |  |               |
| 11          | F4-04000033      | 气缸头螺栓A                  | BOLT ,CYLINDER HEAD "B"    | 1         |  |  |  |  |               |
| 12          | F4-04080017      | 六角头排气堵头                 | PLUG                       | 1         |  |  |  |  |               |
| 13          | F4-04000006      | 放油螺栓密封垫                 | WASHER , BOLT              | 1         |  |  |  |  |               |
| 14          | F4-04000036      | 节温器                     | THERMOSTAT                 | 1         |  |  |  |  |               |
| 15          | GB/T97.1-6       | 平垫圈6                    | WASHER 6                   | 8         |  |  |  |  |               |
| 16          | GB/T5783-M6x20   | 六角头螺栓M6×20              | BOLT M6×20                 | 3         |  |  |  |  |               |
| 17          | F4-04000012      | 回水管                     | PIPE ,RETURN               | 1         |  |  |  |  |               |
| 18          | F4-04010002      | 水咀                      | SPILE WATER                | 1         |  |  |  |  |               |
| 19          | F4-04070001      | 节温器盖                    | COVER ,THERMOSTAT          | 1         |  |  |  |  |               |
| 20          | F4-04070100      | 节温器盖水咀组件                | COVER AND SPILE WATER ASSY | 1         |  |  |  |  |               |
| 21          | F4-04000011      | 节温器盖密封垫                 | GASKET ,THERMOSTAT         | 1         |  |  |  |  |               |
| 22          | F4-04070003      | 节温器盖阳极                  | ANODE                      | 1         |  |  |  |  |               |
| 23          | GB/T818-M5x25    | 十字槽盘头螺钉M5×25            | SCREW ,PAN HEAD M5×25      | 1         |  |  |  |  |               |

零部件名称:

燃油系统

PARTS NAME:

FUEL



| SN.<br>参照号码 | PART NO.<br>零件编号 | DESCRIPTION<br>零件名称(中文) | DESCRIPTION<br>零件名称(英文)     | QTY<br>数量 |  |  |  | REMARKS<br>备注 |
|-------------|------------------|-------------------------|-----------------------------|-----------|--|--|--|---------------|
| 1           | GB/T823-M4x25    | 十字槽小盘头螺钉M4×25           | SCREW ,SMALL PAN HEAD M4×25 | 4         |  |  |  |               |
| 2           | F4-04090003      | 燃油泵盖                    | COVER ,FUEL PUMP            | 1         |  |  |  |               |
| 3           | F4-04090004      | 上隔膜                     | DIAPHRAGM ,TOP              | 1         |  |  |  |               |
| 4           |                  |                         |                             |           |  |  |  |               |
| 5           |                  |                         |                             |           |  |  |  |               |
| 6           | F4-04090100A     | 燃油泵壳                    | FUEL PUMP SHELL             | 1         |  |  |  |               |
| 7           | F4-04090100      | 隔膜组件                    | DIAPHRAGM ASSY              | 1         |  |  |  |               |
| 8           | GB/T309-3x12     | 滚针φ3×12                 | ROLLER NEEDLE φ3×12         | 1         |  |  |  |               |
| 9           | F4-04090008      | 隔膜弹簧                    | SPRING ,DIAPHRAGM           | 1         |  |  |  |               |
| 10          | F4-04090001      | 燃油泵座                    | SEAT ,FUEL PUMP             | 1         |  |  |  |               |
| 11          | F4-04090007      | 柱塞弹簧                    | SPRING ,PLUNGER             | 1         |  |  |  |               |
| 12          | F4-04090006      | 柱塞                      | PLUNGER                     | 1         |  |  |  |               |
| 13          | GB/T6170-M4      | 螺母M4                    | NUT M4                      | 4         |  |  |  |               |
| 14          | F4-04090000      | 燃油泵组件                   | FUEL PUMP ASSY              | 1         |  |  |  |               |
| 15          | F4-04090009      | 燃油泵座O形圈                 | O-RING                      | 1         |  |  |  |               |
| 16          | F4-04000031-2    | 尼龙管夹(B)                 | CLIP ,NYLON "B"             | 1         |  |  |  |               |
| 17          | F4-04000028      | 燃油管E                    | PIPE ,FUEL "E"              | 1         |  |  |  | φ10×φ5×260    |
| 18          | F4-04000030      | 油管夹簧B                   | SPRING ,FUEL PIPE "B"       | 9         |  |  |  |               |
| 19          | GB/T93-6         | 弹簧垫圈6                   | WASHER ,SPRING 6            | 2         |  |  |  |               |
| 20          | GB/T97.1-6       | 平垫圈6                    | WASHER 6                    | 2         |  |  |  |               |

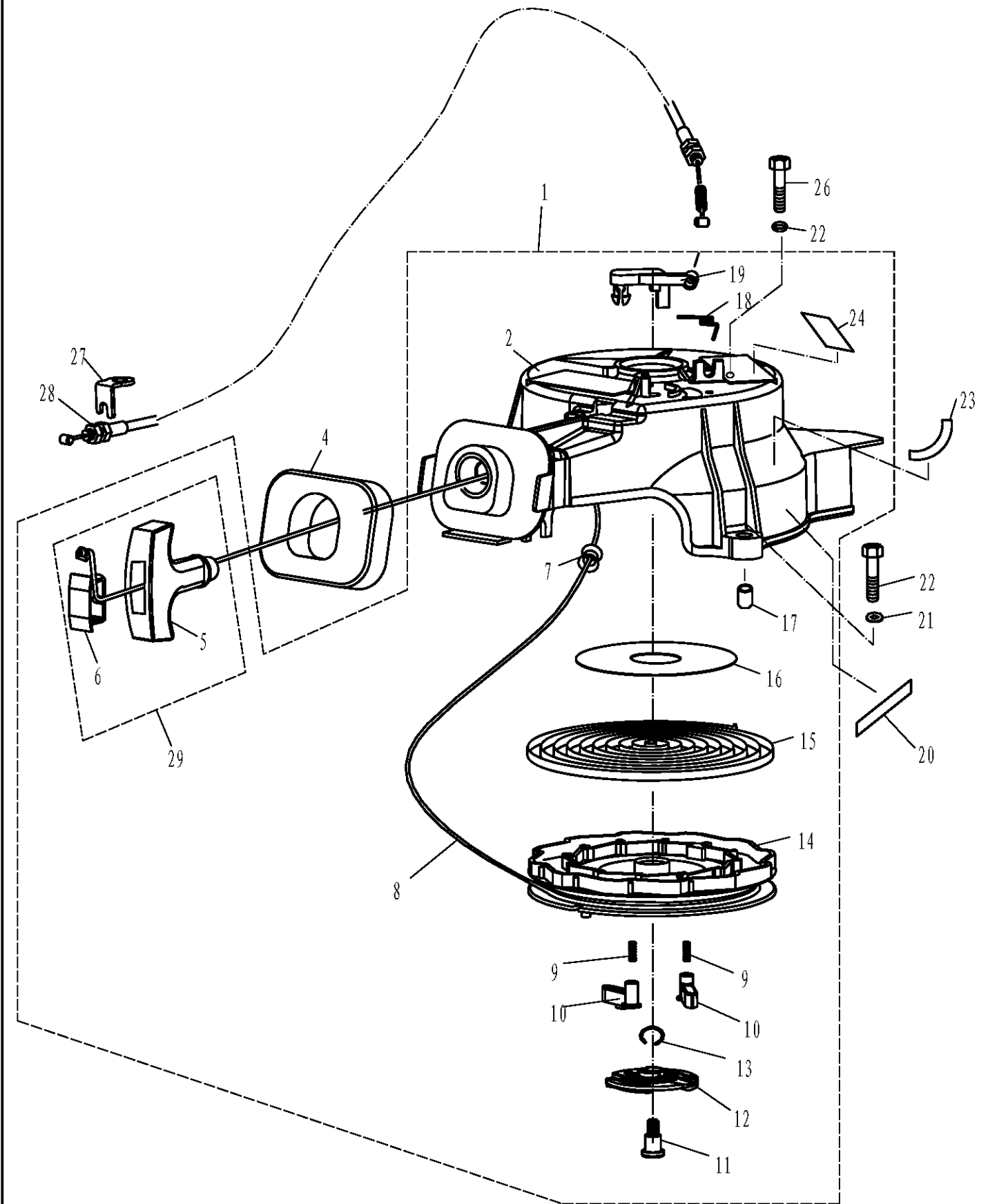






零部件名称: 起动器组件

PARTS NAME: STARTER







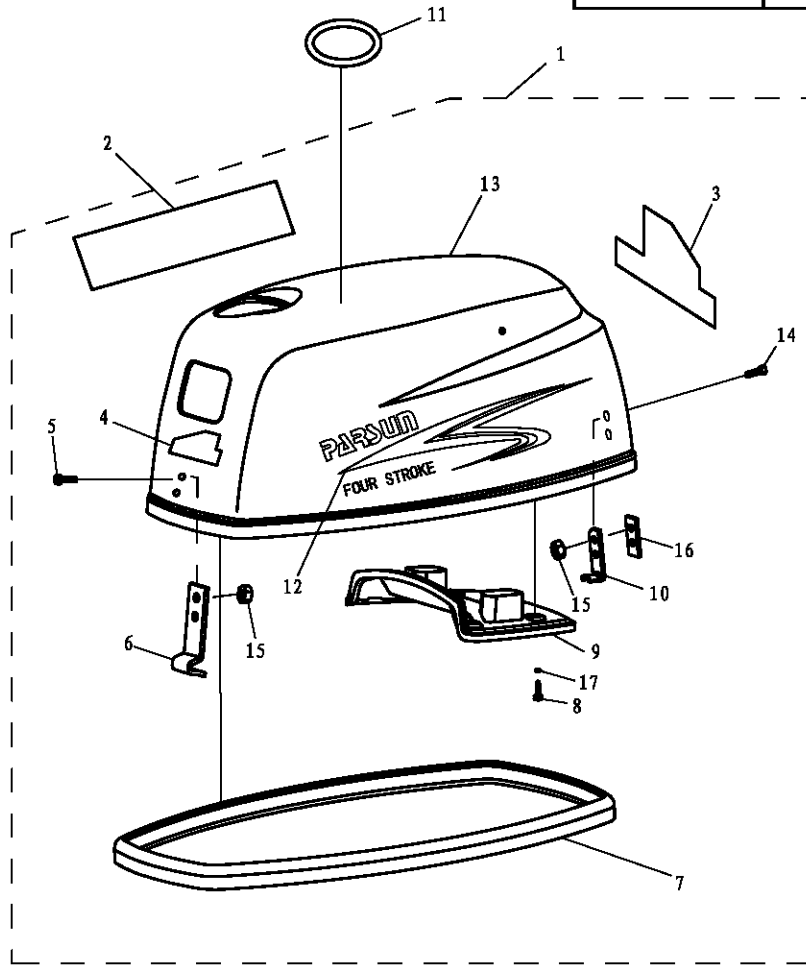


零部件名称:

顶罩

PARTS NAME:

TOP COWLING



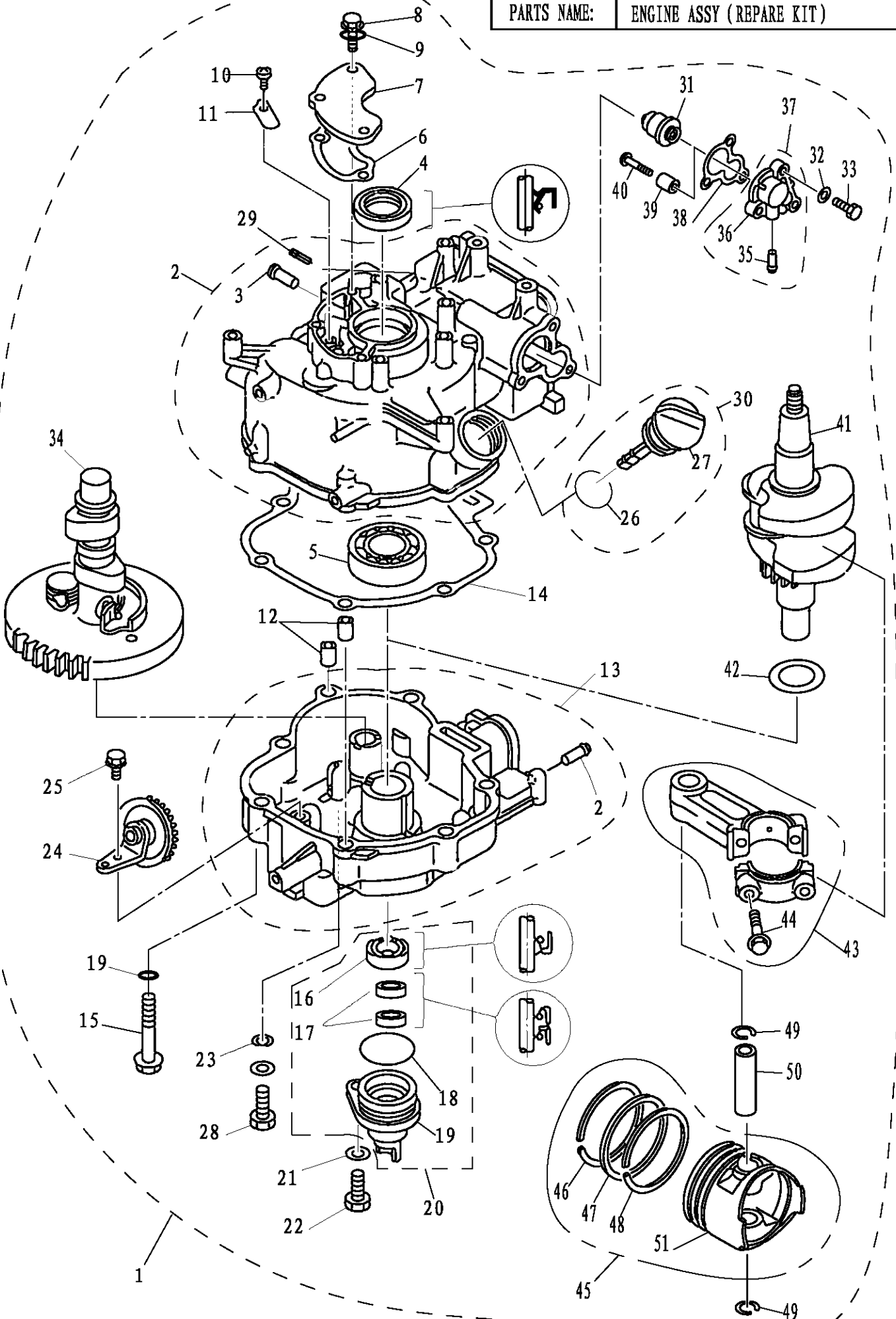
| SN.<br>参照号码 | PART NO.<br>零件编号 | DESCRIPTION<br>零件名称(中文) | DESCRIPTION<br>零件名称(英文)   | QTY<br>数量 |  |  |  |  | REMARKS<br>备注 |
|-------------|------------------|-------------------------|---------------------------|-----------|--|--|--|--|---------------|
| 1           | F4-0600000       | 顶罩组件                    | TOP COWLING ASSY          | 1         |  |  |  |  |               |
| 2           | F4-08000001      | 标贴1                     | MARK 1                    | 1         |  |  |  |  |               |
| 3           | F4-08000003      | 标贴3                     | MARK 3                    | 1         |  |  |  |  | F4            |
|             | F4-08000005      | 标贴5                     | MARK 5                    | 1         |  |  |  |  | F5            |
| 4           | F4-08000004      | 标贴4                     | MARK 4                    | 1         |  |  |  |  | F4            |
|             | F4-08000006      | 标贴6                     | MARK 6                    | 1         |  |  |  |  | F5            |
| 5           | GB/T818-M5x12    | 十字槽盘头螺钉M5x12            | SCREW, PAN HEAD M5x12     | 2         |  |  |  |  |               |
| 6           | F4-06000005      | 锁紧钩                     | HOOK, LOCK                | 1         |  |  |  |  |               |
| 7           | F4-06000002      | 密封橡胶条                   | BAR RUBBER, AIRPROOF      | 1         |  |  |  |  |               |
| 8           | GB/T845-ST5.5x19 | 十字槽盘头自攻螺钉ST5.5x19       | SCREW, TAPPING ST5.5x19   | 4         |  |  |  |  |               |
| 9           | F4-06000003      | 顶罩消音盖                   | COVER, TOPCOWING MUFFLING | 1         |  |  |  |  |               |
| 10          | F15-08000004     | 挂钩                      | POTHOOK                   | 1         |  |  |  |  |               |
| 11          | F4-08000019      | 标贴19                    | MARK 19                   | 1         |  |  |  |  |               |
| 12          | F4-08000002      | 标贴2                     | MARK 2                    | 1         |  |  |  |  |               |
| 13          | F4-06000001      | 顶罩                      | TOP COWLING               | 1         |  |  |  |  |               |
| 14          | GB/T818-M5x20    | 十字槽盘头螺钉M5x20            | SCREW, PAN HEAD M5x20     | 2         |  |  |  |  |               |
| 15          | GB/T6170-M5      | 六角薄螺母M5                 | THIN NUT M5               | 2         |  |  |  |  |               |
| 16          | F4-06000006      | 挂钩垫                     | UNDERLAY, POTHOOK         | 1         |  |  |  |  |               |
| 17          | F4-06000004      | 橡胶垫片                    | UNDERLAY, RUBBER          | 4         |  |  |  |  |               |





零部件名称: 发动机头组件 (修理件)

PARTS NAME: ENGINE ASSY (REPAIR KIT)



零部件名称:

发动机头组件(修理件)

PARTS NAME:

ENGINE ASSY (REPAIR KIT)

| SN.<br>参照号码 | PART NO.<br>零件编号 | DESCRIPTION<br>零件名称(中文) | DESCRIPTION<br>零件名称(英文)    | QTY<br>数量 |  |  |  |  | REMARKS<br>备注 |
|-------------|------------------|-------------------------|----------------------------|-----------|--|--|--|--|---------------|
| 1           | F4-04150000      | 发动机头组件                  | ENGINE ASSY                | 1         |  |  |  |  |               |
| 2           | F4-04010100      | 曲轴箱体组件                  | CRANK CASE                 | 1         |  |  |  |  |               |
| 3           | F4-04010102      | 气嘴                      | PIPE, JOINT                | 2         |  |  |  |  |               |
| 4           | F4-04010004      | 曲轴油封A25x40x5            | OIL SEAL                   | 1         |  |  |  |  |               |
| 5           | GB/T276-6205C3   | 深沟球轴承6205C3             | BEARING 6205C3             | 1         |  |  |  |  |               |
| 6           | F4-04000009      | 呼吸器密封垫                  | BREATHER GASKET            | 1         |  |  |  |  |               |
| 7           | F4-04000010      | 呼吸器盖板                   | COVER                      | 1         |  |  |  |  |               |
| 8           | GB/T5783-M6x14   | 六角头螺栓M6x14              | BOLT M6x14                 | 3         |  |  |  |  |               |
| 9           | GB/T97.1-6       | 平垫圈6                    | WASHER 6                   | 3         |  |  |  |  |               |
| 10          | GB/T818-M4x6     | 十字槽盘头螺钉M4x6             | SCREW, PAN HEAD M4x6       | 1         |  |  |  |  |               |
| 11          | F4-04010003      | 呼吸器阀片                   | VELVE, BREATHER FLAP       | 1         |  |  |  |  |               |
| 12          | F4-04000003      | 空心定位销φ10x8.4x14         | HOLLOW PIN                 | 2         |  |  |  |  |               |
| 13          | F4-04050200      | 曲轴箱盖组件                  | COVER, CRANK CASE          | 1         |  |  |  |  |               |
| 14          | F4-04000002      | 曲轴箱体复合垫                 | CRANK CASE COMPLEX GASKET  | 1         |  |  |  |  |               |
| 15          | F4-04000039      | 凸缘螺栓M8x50               | BOLT, HEXAGON M8x50        | 7         |  |  |  |  |               |
| 16          | F4-04060003      | 曲轴油封20x30x7(B)          | OIL, SEAL                  | 1         |  |  |  |  |               |
| 17          | F4-04060004      | 驱动轴上油封10.8x21x7         | OIL, SEAL                  | 2         |  |  |  |  |               |
| 18          | F4-04060002      | 油封壳体O型圈                 | O-RING                     | 1         |  |  |  |  |               |
| 19          | F4-04060001      | 油封壳体                    | SHELL, OIL SEAL            | 1         |  |  |  |  |               |
| 20          | F4-04060000      | 油封壳体组件                  | OIL SEAL SHELL ASSY        | 1         |  |  |  |  |               |
| 21          | GB/T97.1-8       | 平垫圈8                    | WASHER 8                   | 8         |  |  |  |  |               |
| 22          | GB/T5783-M8x20   | 六角头螺栓M8x20              | BOLT M8x20                 | 1         |  |  |  |  |               |
| 23          | F4-04000006      | 放油螺栓密封垫                 | WASHER                     | 1         |  |  |  |  |               |
| 24          | F4-04050100      | 甩油轮组件                   | GEAR UNIT ASSY             | 1         |  |  |  |  |               |
| 25          | GB/T5783-M6x12   | 六角头螺栓M6x12              | BOLT M6x12                 | 1         |  |  |  |  |               |
| 26          | F4-04000008      | 机油盖阻油圈                  | O-RING                     | 1         |  |  |  |  |               |
| 27          | F4-04000007      | 带尺机油盖                   | PLUG WITH DIPSTICK         | 1         |  |  |  |  |               |
| 28          | F4-04000001      | 放油螺栓                    | BOLT, DISCHARGING OIL      | 1         |  |  |  |  |               |
| 29          | F2.6-04010103    | 出水嘴                     | WATER PIPE ,OUT            | 1         |  |  |  |  |               |
| 30          | F4-04000010      | 带尺机油盖组件                 | PLUG WITH DIPSTICK ASSY    | 1         |  |  |  |  |               |
| 31          | F4-04000036      | 节温器                     | THERMOSTAT                 | 1         |  |  |  |  |               |
| 32          | GB/T97.1-6       | 平垫圈6                    | WASHER 6                   | 8         |  |  |  |  |               |
| 33          | GB/T5783-M6x20   | 六角头螺栓M6x20              | BOLT M6x20                 | 3         |  |  |  |  |               |
| 34          | F4-04040000      | 凸轮减压组件                  | CAMSHAFT ASSY              | 1         |  |  |  |  |               |
| 35          | F4-04010002      | 水咀                      | SPILE WATER                | 1         |  |  |  |  |               |
| 36          | F4-04070001      | 节温器盖                    | COVER , THERMOSTAT         | 1         |  |  |  |  |               |
| 37          | F4-04070100      | 节温器盖水咀组件                | COVER AND SPILE WATER ASSY | 1         |  |  |  |  |               |
| 38          | F4-04000011      | 节温器盖密封垫                 | GASKET , THERMOSTAT        | 1         |  |  |  |  |               |
| 39          | F4-04070003      | 节温器盖阳极                  | ANODE                      | 1         |  |  |  |  |               |
| 40          | GB/T818-M5x25    | 十字槽盘头螺钉M5x25            | SCREW , PAN HEAD M5x25     | 1         |  |  |  |  |               |
| 41          | F4-04030000      | 曲轴组件                    | CRANK ASSY                 | 1         |  |  |  |  |               |
| 42          | F4-04000004      | 箱盖减磨片                   | WASHER , PLATE             | 1         |  |  |  |  |               |
| 43          | F4-04020100      | 连杆组件                    | ROD , CONNECTING           | 1         |  |  |  |  |               |



零部件名称:

附录(修理件)

PARTS NAME:

APPENDIX (REPAIR KIT)

