

<http://www.parsun.com.cn>

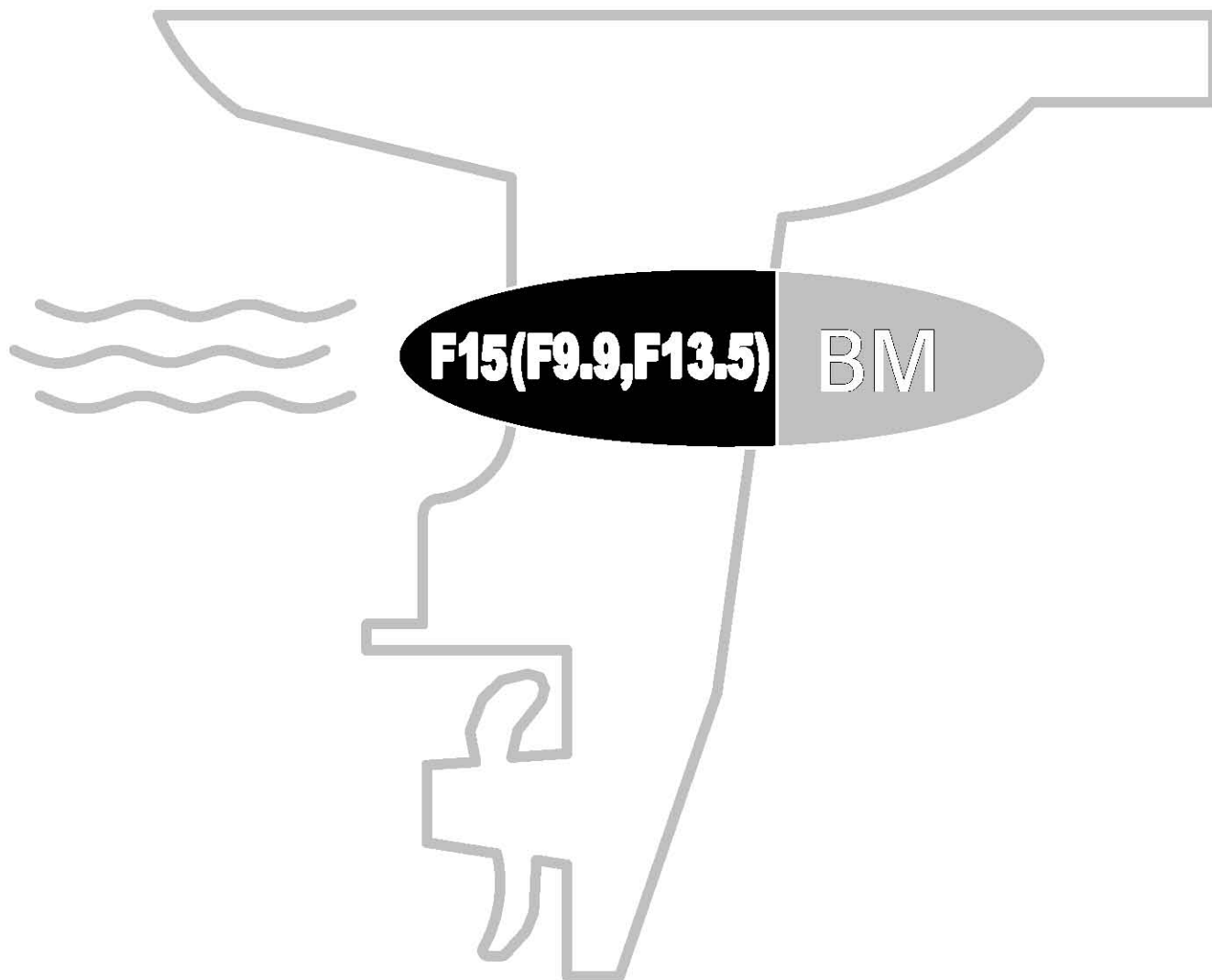
**PARSUN**

**2009**

**百胜**

**零件目录**

**PARTS CATALOGUE**



苏州百胜动力机器有限公司

SUZHOU PARSUN POWER MACHINE CO., LTD

# 目次

## CONTENTS

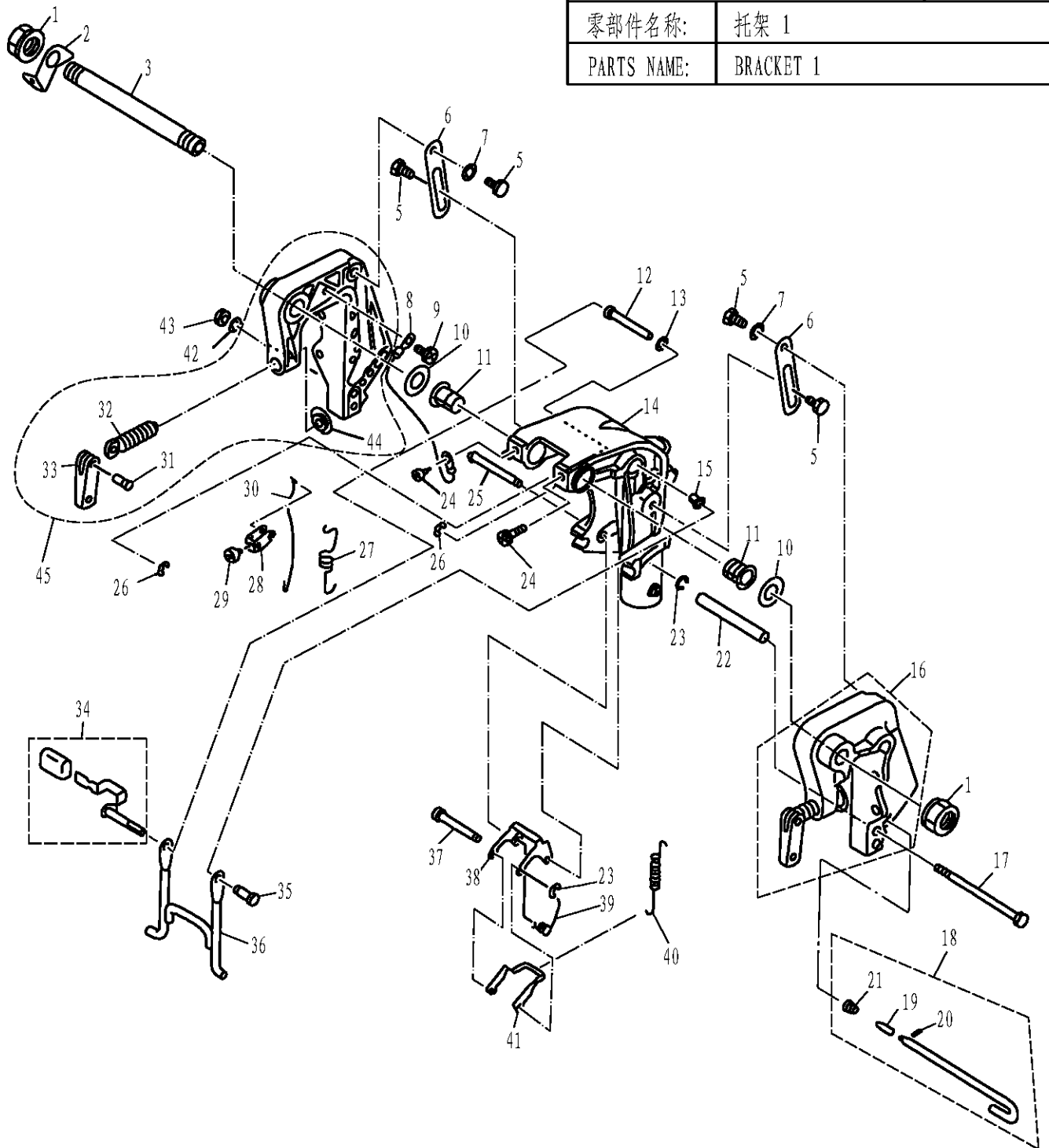
|                                 |       |
|---------------------------------|-------|
| 托架 1                            | 1~2   |
| BRACKET 1                       | 1~2   |
| 托架 2                            | 3~4   |
| BRACKET 2                       | 3~4   |
| 操舵系统                            | 5~6   |
| STEERING                        | 5~6   |
| 水上装置壳体                          | 7~8   |
| UPPER CASING                    | 7~8   |
| 油底壳组件                           | 9~10  |
| OIL PAN                         | 9~10  |
| 底罩                              | 11~12 |
| BOTTOM COWLING                  | 11~12 |
| 控制系统                            | 13~14 |
| CONTROL SYSTEM                  | 13~14 |
| 水下装置壳体&驱动系统 1                   | 15~17 |
| LOWER CASING & DRIVE 1          | 15~17 |
| 水下装置壳体&驱动系统 2                   | 18~19 |
| LOWER CASING & DRIVE 2          | 18~19 |
| 电气 1                            | 20~21 |
| ELECTRICAL 1                    | 20~21 |
| 进气系统                            | 22    |
| INTAKE                          | 22    |
| 气缸&曲轴箱1                         | 23~24 |
| CYLINDER & CRANKCASE 1          | 23~24 |
| 曲轴&活塞                           | 25    |
| CRANKSHAFT & PISTON             | 25    |
| 气缸&曲轴箱2                         | 26    |
| CYLINDER & CRANKCASE 2          | 26    |
| 阀门                              | 27    |
| VALVE                           | 27    |
| 凸轮轴                             | 28    |
| CAMSHAFT                        | 28    |
| 燃油系统                            | 29~30 |
| FUEL                            | 29~30 |
| 电气 2                            | 31    |
| ELBCTRICAL 2                    | 31    |
| 起动机                             | 32~33 |
| STARTER                         | 32~33 |
| 顶罩组件                            | 34~35 |
| TOP COWLING ASSY                | 34~35 |
| 燃油箱                             | 36    |
| FUEL TANK                       | 36    |
| 附录1(修理件)                        | 37~38 |
| APPENDIX 1 (REPATE KIT)         | 37~38 |
| 附录2(修理件)                        | 39~40 |
| APPENDIX 2 (REPARB KIT)         | 39~40 |
| 气缸头总成(修理件)                      | I~II  |
| CYLINDER HEAD ASSY (REPATE KIT) | I~II  |
| 发动机头总成(修理件)                     | III~V |
| ENGINE ASSY (REPARB KIT)        | III~V |

零部件名称:

托架 1

PARTS NAME:

BRACKET 1



| SN.<br>参照号码 | PART NO.<br>零件编号 | DESCRIPTION<br>零件名称(中文) | DESCRIPTION<br>零件名称(英文) | QTY<br>数量 |  |  |  | REMARKS<br>备注 |
|-------------|------------------|-------------------------|-------------------------|-----------|--|--|--|---------------|
| 1           | F15-01010007     | 托架夹紧螺母                  | NUT , SELF-LOCKING      | 2         |  |  |  |               |
| 2           | F15-01010003     | 双孔固定板                   | PLATE , TWO HOLE        | 1         |  |  |  |               |
| 3           | F15-01010001     | 夹紧托架双头螺管                | BOLT , CLAMP BRACKET    | 1         |  |  |  |               |
| 4           |                  |                         |                         |           |  |  |  |               |
| 5           | F15-01010103     | 扁六角轴位螺钉                 | SCREW , FLAT HEXAGON    | 4         |  |  |  |               |
| 6           | F15-01010105     | 倾斜制动板                   | PLATE , TILT STOPPER    | 2         |  |  |  |               |
| 7           | F15-01010104     | 波形垫圈                    | WASHER , WAVE           | 1         |  |  |  |               |
| 8           | F15-01010202     | 接地钢索A                   | TIGHTWIRE , EARTHING    | 1         |  |  |  |               |
| 9           | GB/T818-M6x8     | 十字槽盘头螺钉M6×8             | SCREW , PAN HEAD M6x8   | 1         |  |  |  |               |
| 10          | F15-01010002     | 螺管尼龙垫圈                  | WASHER , NYLON          | 2         |  |  |  |               |

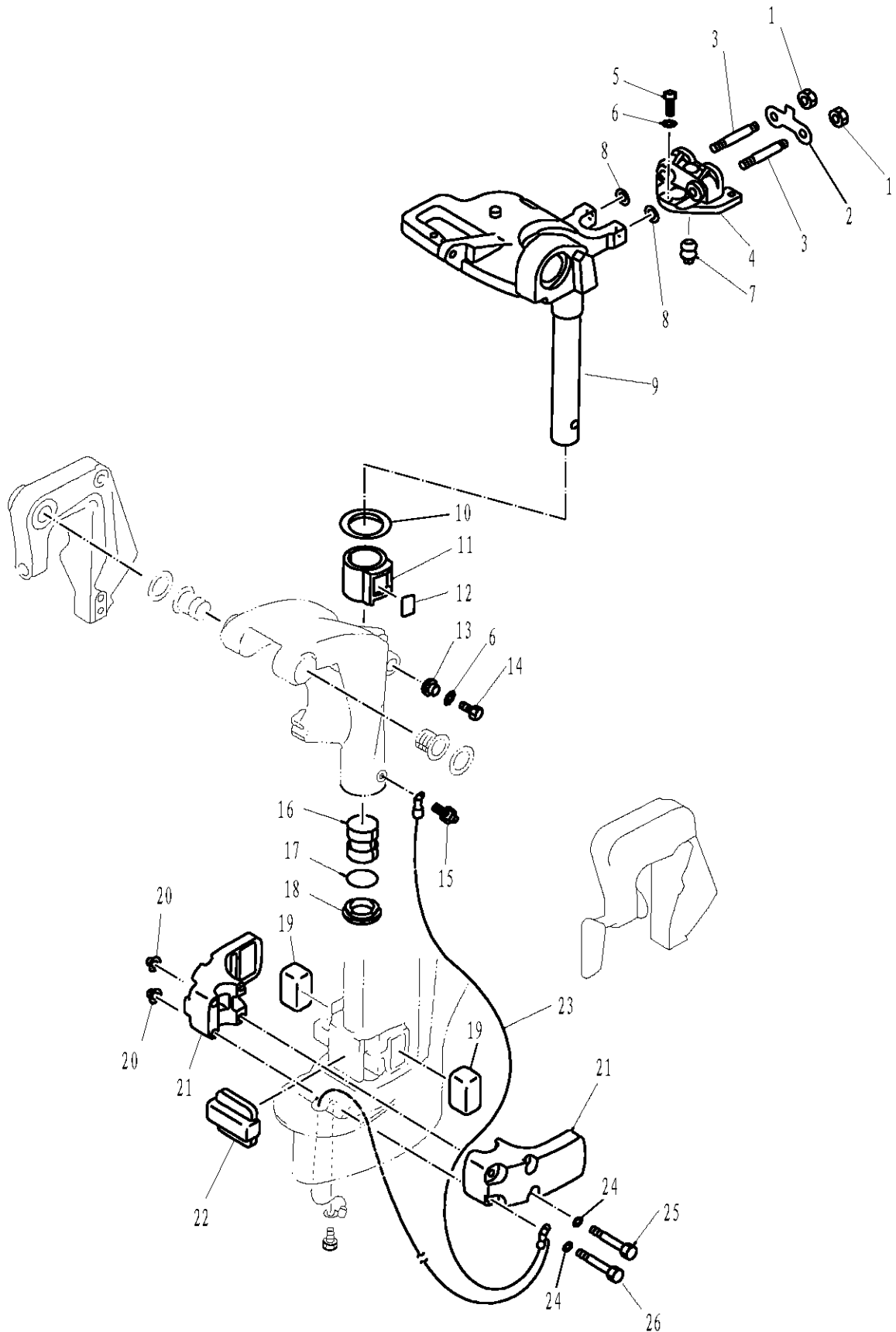


零部件名称:

托架 2

PARTS NAME:

BRACKET 2



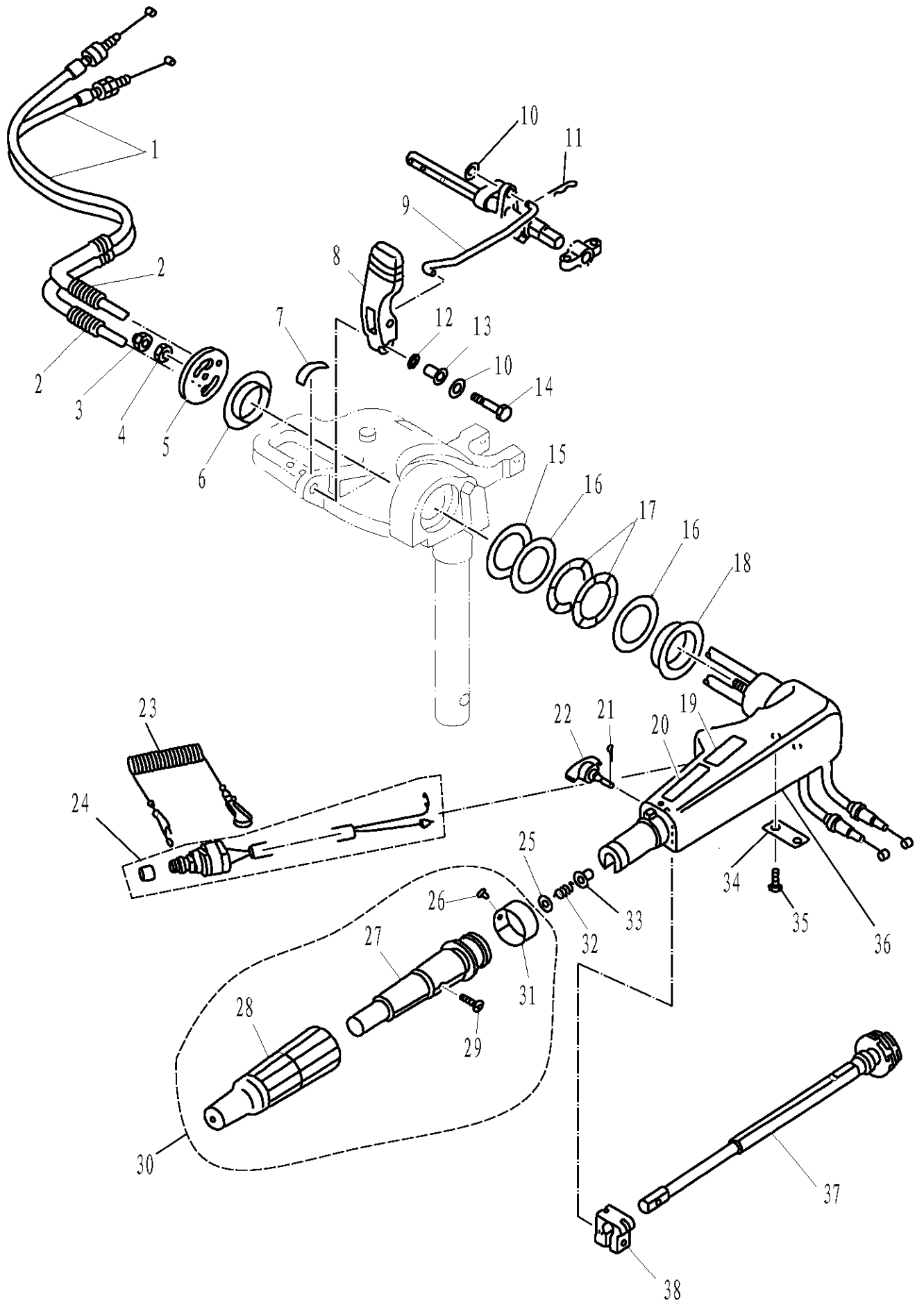


零部件名称:

操舵系统

PARTS NAME:

STEERING

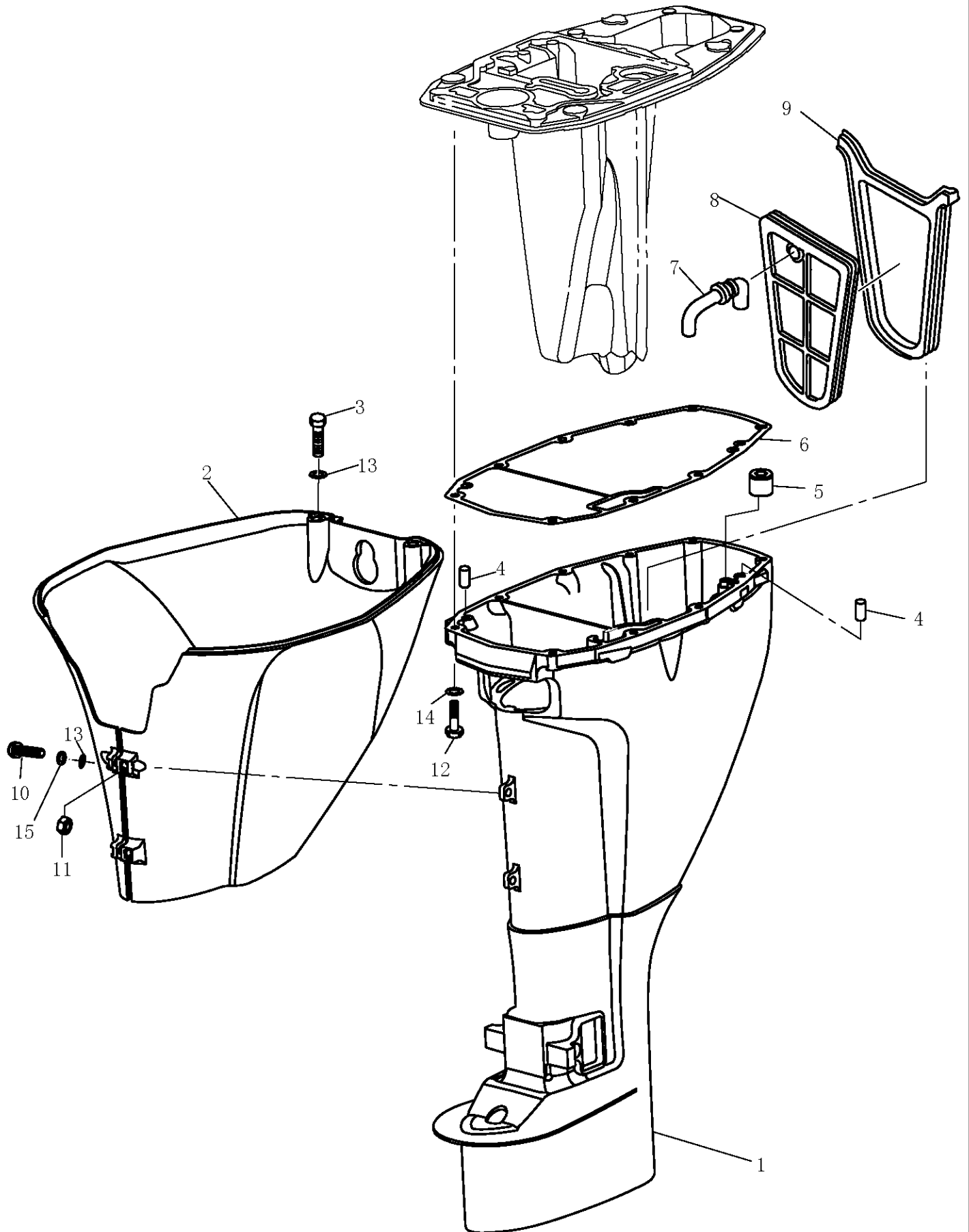






零部件名称: 水上装置壳体

PARTS NAME: UPPER CASING



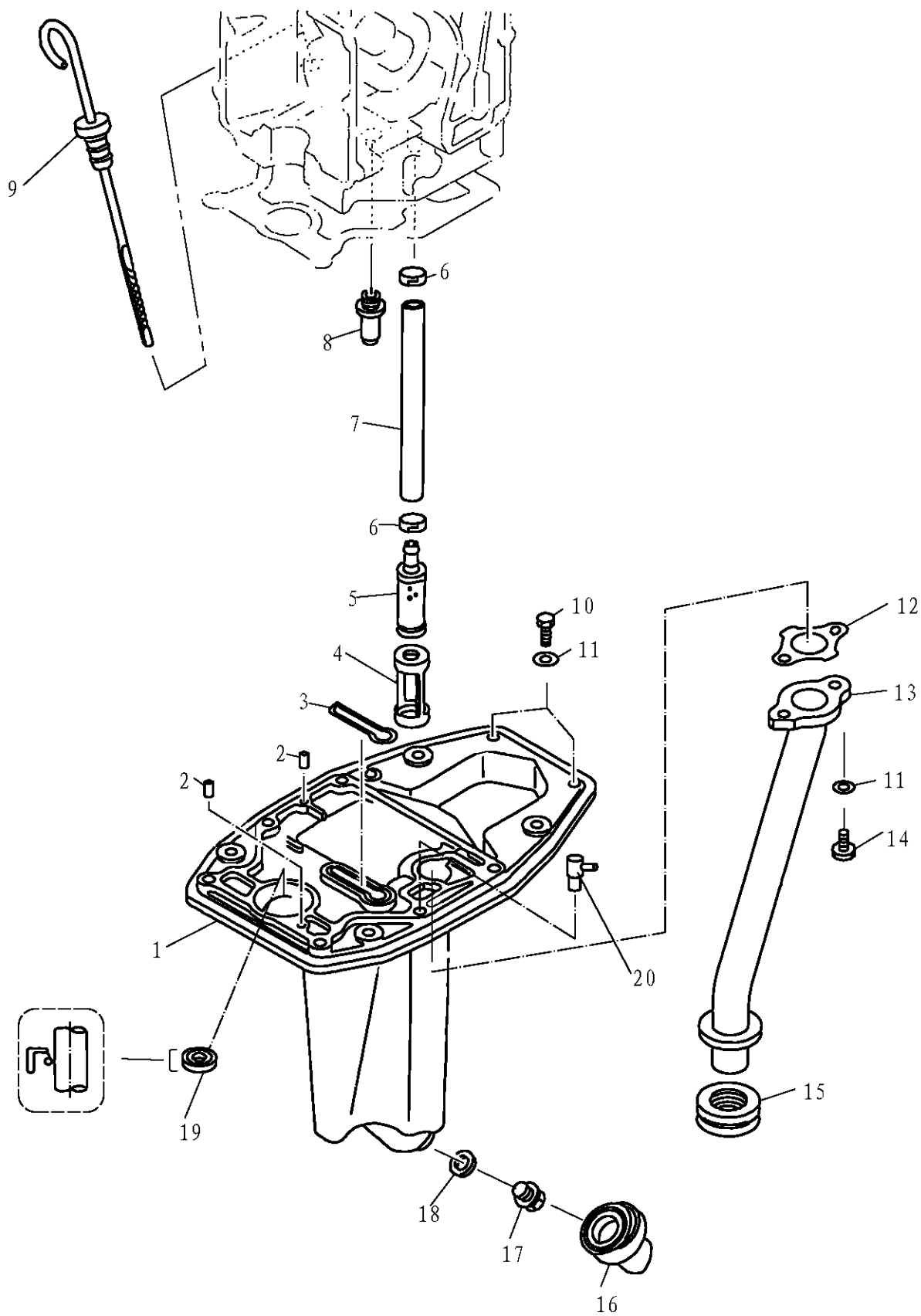


零部件名称:

油底壳组件

PARTS NAME:

OIL PAN



零部件名称:

水下驱动组件

PARTS NAME:

LOWER DRIVE ASSY

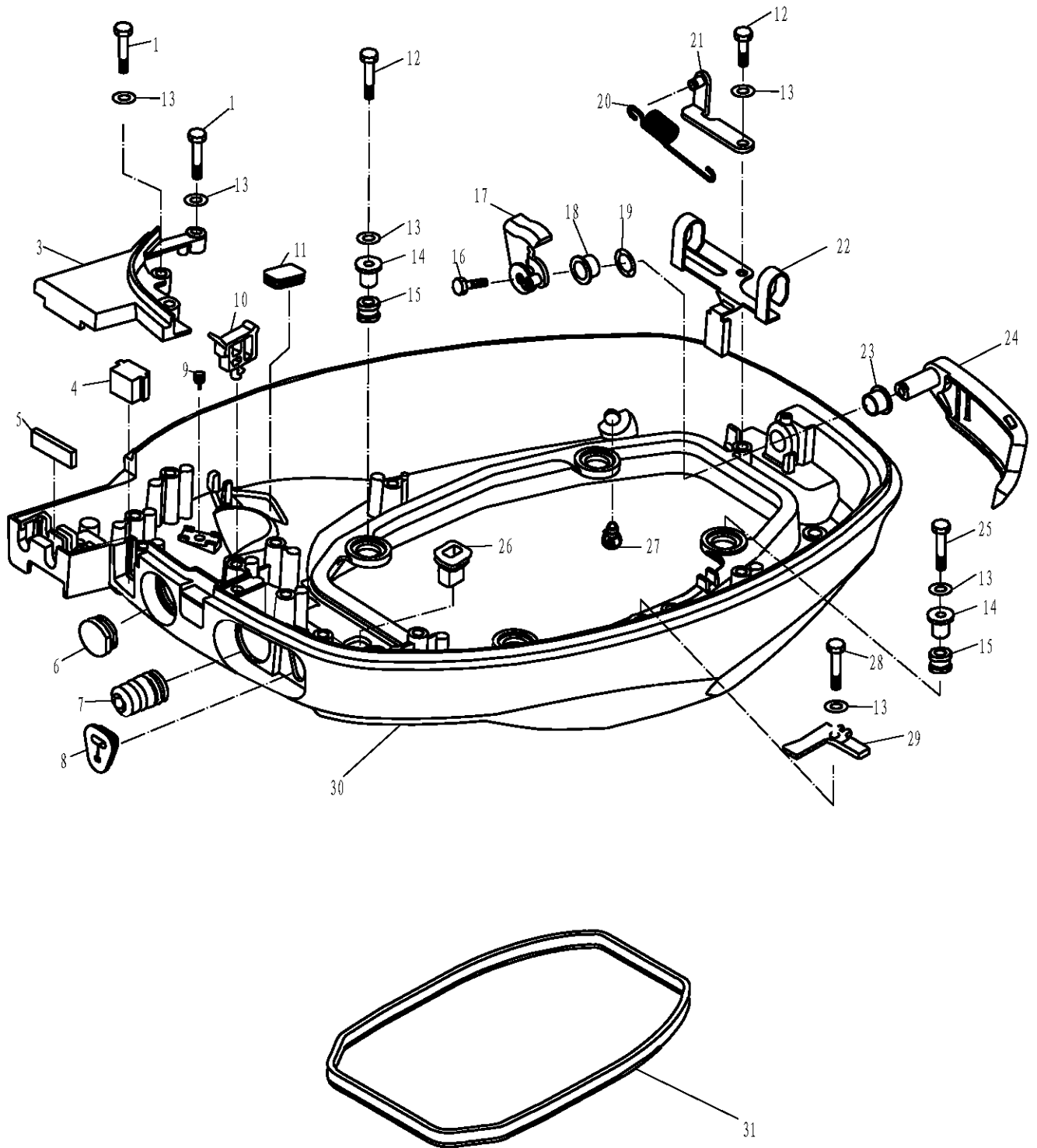
| SN.<br>参照号码 | PART NO.<br>零件编号 | DESCRIPTION<br>零件名称(中文) | DESCRIPTION<br>零件名称(英文)   | QTY<br>数量 |  |  |  | REMARKS<br>备注 |
|-------------|------------------|-------------------------|---------------------------|-----------|--|--|--|---------------|
| 1           | GB/T5782-2000    | 六角头螺栓M6x45              | HEXAGON BOLT M6x45        | 4         |  |  |  |               |
| 2           | F4-0300020       | 泵壳固定板                   | PLATE , WATER PUMP FIXED  | 2         |  |  |  |               |
| 3           | F4-0300021       | 泵壳橡胶管                   | RUBBER TUBE , WATER PUMP  | 1         |  |  |  |               |
| 4           | F4-0300013       | 水泵座定位销                  | PIN , WATER PUMP          | 2         |  |  |  |               |
| 5           | F4-0300019       | 水泵壳                     | HOUSING , WATER PUMP      | 1         |  |  |  |               |
| 6           | F4-0300018       | 泵壳密封垫                   | GASKET , WATER PUMP COVER | 1         |  |  |  |               |
| 7           | F4-0300017       | 水泵内壳                    | COVER , INNER WATER PUMP  | 1         |  |  |  |               |
| 8           | F4-03060000      | 水泵叶轮                    | IMPELLER , WATER PUMP     | 1         |  |  |  |               |
| 9           | F4-0300015       | 外挡板                     | OUT PLATE                 | 1         |  |  |  |               |
| 10          | F4-0300014       | 变档橡胶护套(含弹簧)             | RUBBER JACKET , SHIFT ROD | 1         |  |  |  |               |
| 11          | T3. 6-03010000   | 变档凸轮组件                  | CAM ASSY , SHIFT ROD      | 1         |  |  |  | L             |
|             | T3. 6-03010000S  | 变档凸轮组件                  | CAM ASSY , SHIFT ROD      | 1         |  |  |  | S             |
| 12          | GB/T5783-2000    | 六角头螺栓M6x25              | HEXAGON BOLT M6x25        | 1         |  |  |  |               |
| 13          | GB/T97. 1-85     | 平垫圈6                    | WASHER , PLATE6           | 5         |  |  |  |               |
| 14          | F4-0300012       | 水泵座                     | BASE , WATER PUMP         | 1         |  |  |  |               |
| 15          | F4-0300011       | 水泵座密封垫                  | HERMETIC GASKET           | 1         |  |  |  |               |
| 16          | F4-0300027       | 驱动轴下油封 10. 8x21x7       | OIL SEAL                  | 2         |  |  |  |               |
| 17          | F4-0300003       | 螺旋桨轴垫圈                  | WASHER , SHAFT PROPELLER  | 2         |  |  |  |               |
| 18          | GB/T276-94       | 深沟球轴承6302               | BEARING                   | 1         |  |  |  |               |
| 19          | GB/T276-94       | 深沟球轴承6004C2             | BEARING                   | 2         |  |  |  |               |
| 20          | F4-03050002      | 螺旋桨轴油封13x22x7           | OIL SEAL                  | 2         |  |  |  |               |
| 21          | JISB2401 P48     | 水下装置壳体盖O形圈              | O-RING                    | 1         |  |  |  |               |
| 22          | F4-03050001      | 水下装置壳体盖                 | COVER , LOWER CASING      | 1         |  |  |  |               |
| 23          | GB/T5783-2000    | 六角头螺栓M6x20              | HEXAGON BOLT M6x20        | 2         |  |  |  |               |
| 24          | F4-0300003       | 不带档边筒形轴承                | BEARING                   | 1         |  |  |  |               |
| 25          | F4-0300023       | 注油孔螺塞                   | PLUG , OIL HOLE           | 3         |  |  |  |               |
| 26          | F4-0300024       | 注油孔螺塞垫圈                 | GASKET                    | 3         |  |  |  |               |
| 27          | F4-0300001       | 水下装置壳体                  | LOWER CASING              | 1         |  |  |  |               |
| 28          | GB/T896-86       | 开口档圈6                   | CIRCLIP                   | 1         |  |  |  |               |
| 29          | F4-0300007       | 主动齿轮                    | INITIATIVE GEAR           | 1         |  |  |  |               |
| 30          | F4-0300006       | 主动齿轮垫圈                  | WASHER , INITIATIVE GEAR  | 1         |  |  |  |               |
| 31          | F4-0300002       | 带档边筒形轴承                 | BEARING                   | 1         |  |  |  |               |
| 32          | F4-0300008       | 变档柱塞                    | PLUGER , SHIFT            | 1         |  |  |  |               |
| 33          | F4-03010000      | 正档齿轮组件                  | POSITIVE GEAR ASSY        | 1         |  |  |  |               |
| 34          | F4-03030002      | 离合器块                    | CLUTCH BLOCK              | 1         |  |  |  |               |
| 35          | F4-03030003      | 离合器块压簧                  | SPRING , CLUTCH BLOCK     | 1         |  |  |  |               |
| 36          | F4-03030001      | 螺旋桨轴                    | SHAFT , PROPELLER         | 1         |  |  |  |               |
| 37          | T3. 6-03000001   | 驱动轴                     | SHAFT , DRIVE             | 1         |  |  |  | L             |
|             | T3. 6-03000001S  | 驱动轴                     | SHAFT , DRIVE             | 1         |  |  |  | S             |
| 38          | F4-0300016       | 叶轮定位销                   | PIN                       | 2         |  |  |  |               |
| 39          | F4-0300005       | 轴用钢丝档圈                  | CLIP                      | 1         |  |  |  |               |
| 40          | GB/T5782-2000    | 六角头长螺栓M6x167            | HEXAGON BOLT              | 2         |  |  |  | L             |
|             | GB/T5782-2000    | 六角头长螺栓M6x40             | HEXAGON BOLT              | 2         |  |  |  | S             |
| 41          | GB/T879. 2-85    | 轻型直槽圆柱销 $\phi$ 2. 5x20  | PIN                       | 1         |  |  |  |               |

零部件名称:

底罩

PARTS NAME:

BOTTOM COWLING



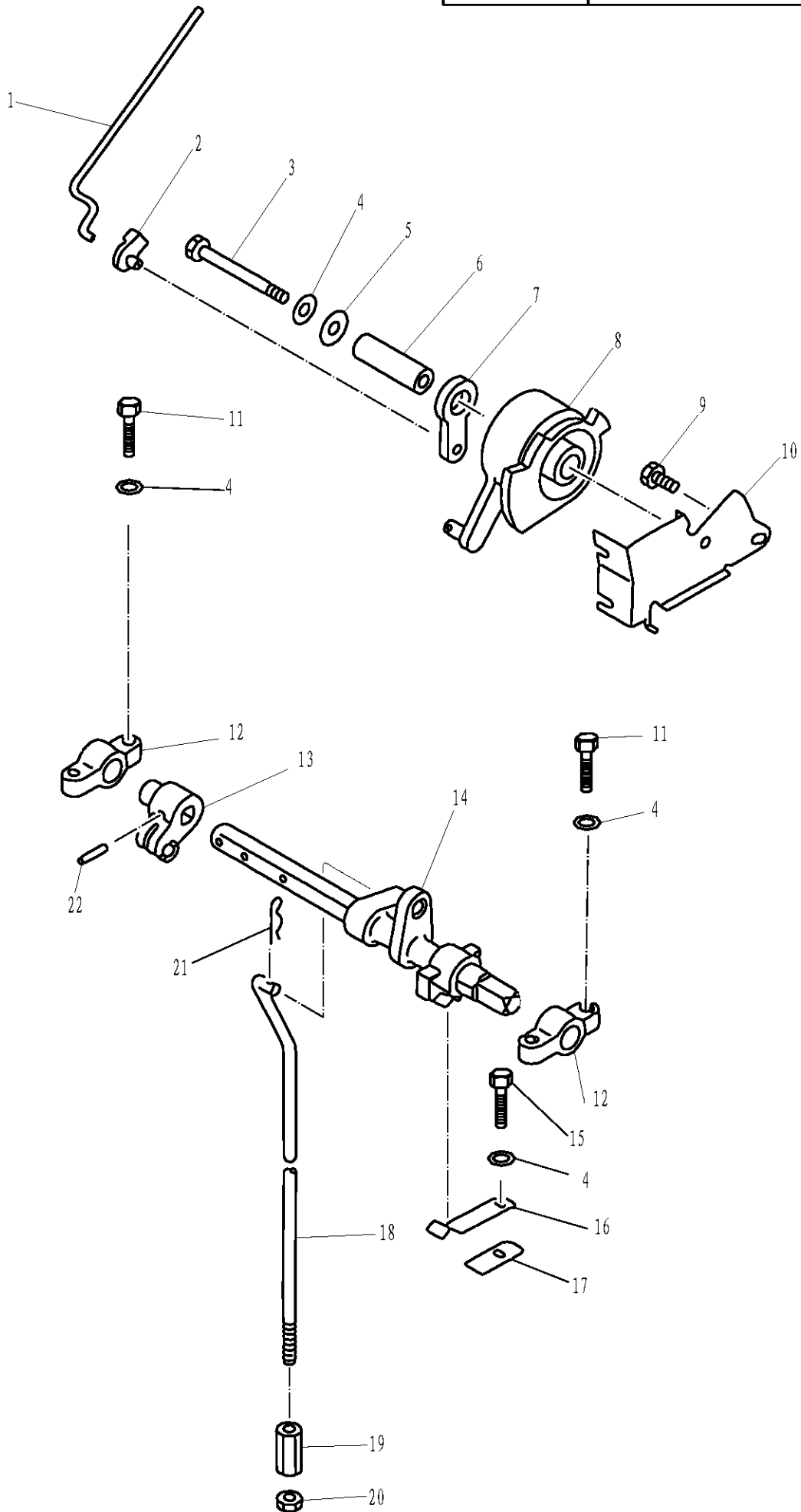


零部件名称:

控制系统

PARTS NAME:

CONTROL SYSTEM

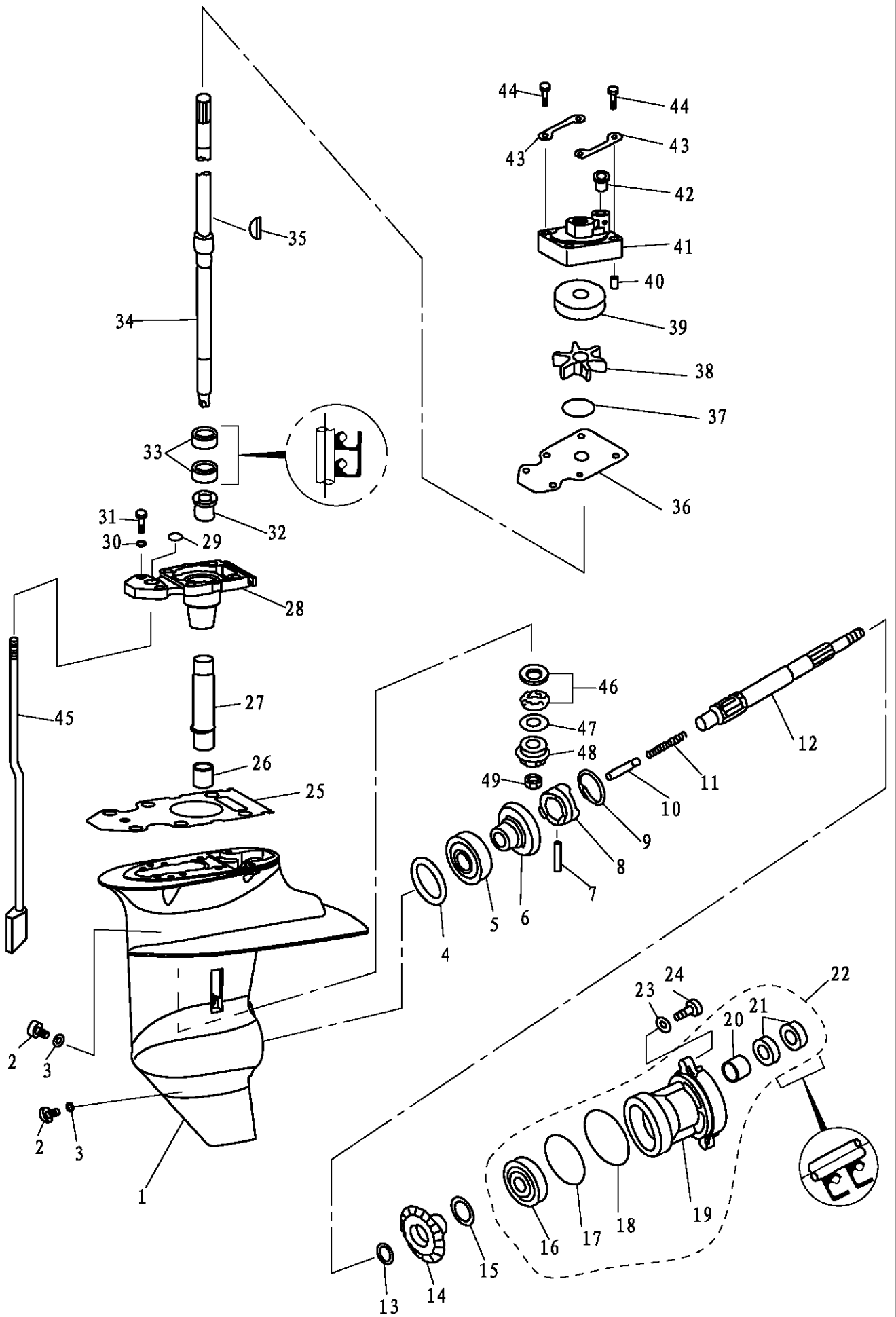






零部件名称: 水下装置壳体 & 驱动系统 1

PARTS NAME: LOWER CASING & DRIVE 1



零部件名称:

水下装置壳体 &amp; 驱动系统 1

PARTS NAME:

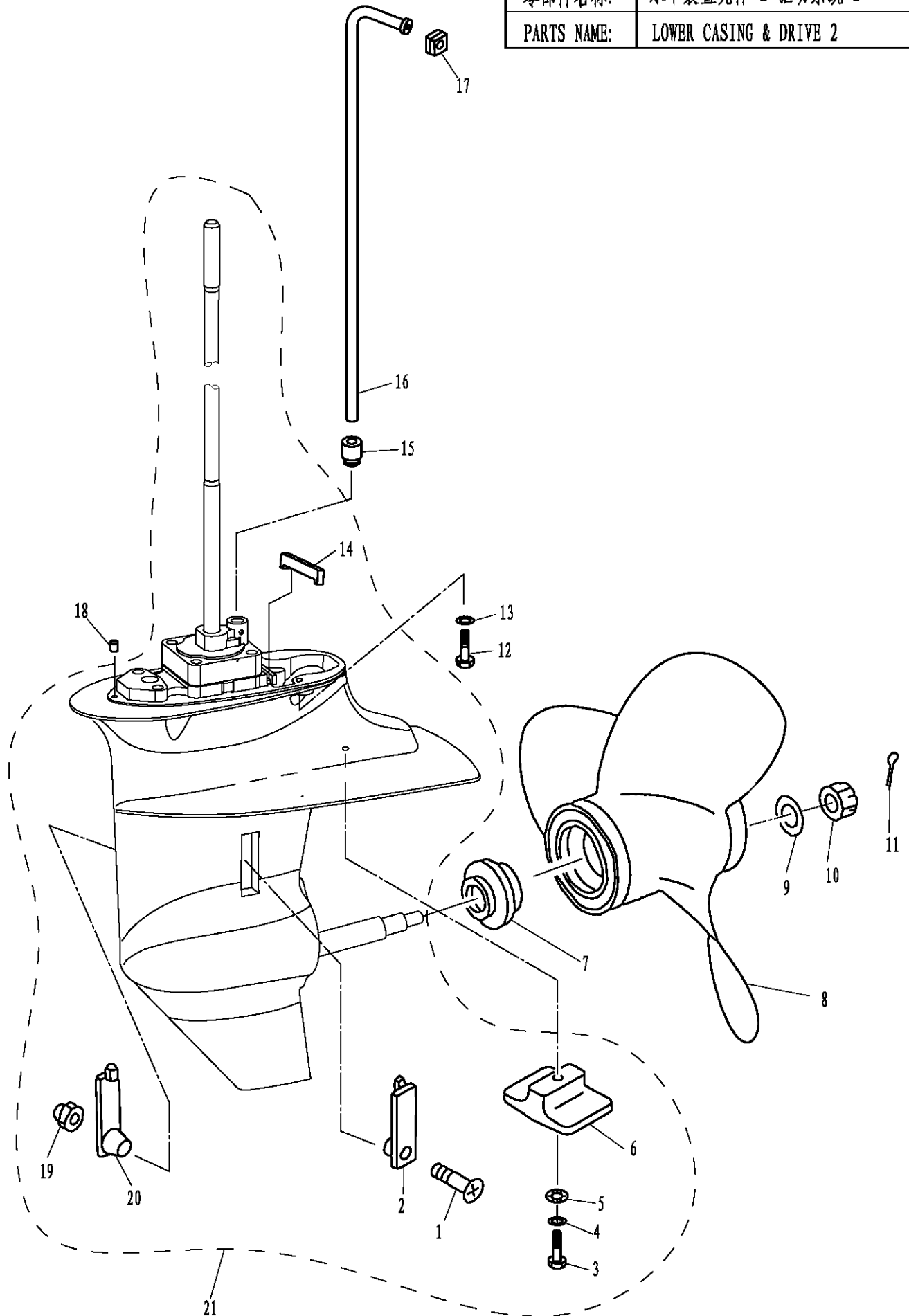
LOWER CASING &amp; DRIVE 1

| SN.<br>参照号码 | PART NO.<br>零件编号 | DESCRIPTION<br>零件名称 (中文) | DESCRIPTION<br>零件名称 (英文) | QTY<br>数量 |  |  |  |  | REMARKS<br>备注 |
|-------------|------------------|--------------------------|--------------------------|-----------|--|--|--|--|---------------|
| 1           | F15-06000001     | 水下装置壳体                   | LOWER CASING             | 1         |  |  |  |  |               |
| 2           | F4-03000023      | 注油孔螺塞                    | PLUG, OIL HOSE           | 2         |  |  |  |  |               |
| 3           | F4-03000024      | 注油孔螺塞垫圈                  | GASKET                   | 2         |  |  |  |  |               |
| 4           | F15-06000010-1   | 正档齿轮填隙片 (t: 0.10毫米)      | SHIM (t: 0.10mm)         | 1         |  |  |  |  |               |
|             | F15-06000010-2   | 正档齿轮填隙片 (t: 0.12毫米)      | SHIM (t: 0.12mm)         | 1         |  |  |  |  |               |
|             | F15-06000010-3   | 正档齿轮填隙片 (t: 0.15毫米)      | SHIM (t: 0.15mm)         |           |  |  |  |  |               |
|             | F15-06000010-4   | 正档齿轮填隙片 (t: 0.18毫米)      | SHIM (t: 0.18mm)         |           |  |  |  |  |               |
|             | F15-06000010-5   | 正档齿轮填隙片 (t: 0.30毫米)      | SHIM (t: 0.30mm)         |           |  |  |  |  |               |
|             | F15-06000010-6   | 正档齿轮填隙片 (t: 0.40毫米)      | SHIM (t: 0.40mm)         |           |  |  |  |  |               |
|             | F15-06000010-7   | 正档齿轮填隙片 (t: 0.50毫米)      | SHIM (t: 0.50mm)         |           |  |  |  |  |               |
| 5           | HR 30205J        | 圆锥滚子轴承                   | BEARING                  | 1         |  |  |  |  |               |
| 6           | F15-06010000     | 正档齿轮组件                   | GEAR, FORWARD            | 1         |  |  |  |  |               |
| 7           | F15-06070004     | 离合器销                     | PIN, CLUTCH              | 1         |  |  |  |  |               |
| 8           | F15-06070003     | 爪形离合器                    | CLUTCH, DOG              | 1         |  |  |  |  |               |
| 9           | F15-06070005     | 离合器环                     | RING, CLUTCH             | 1         |  |  |  |  |               |
| 10          | F15-06070006     | 变档柱塞                     | PLUNGER, SHIFT           | 1         |  |  |  |  |               |
| 11          | F15-06070002     | 离合器弹簧                    | SPRING, CLUTCH           | 1         |  |  |  |  |               |
| 12          | F15-06070001     | 螺旋桨轴                     | SHAFT, PROPELLER         | 1         |  |  |  |  |               |
| 13          | F15-06070007     | 倒档齿轮垫圈                   | WASHER, REVERSE GEAR     | 1         |  |  |  |  |               |
| 14          | F15-06080005     | 倒档齿轮                     | GEAR, REVERSE            | 1         |  |  |  |  |               |
| 15          | F15-06080006-1   | 倒档齿轮填隙片 (t: 0.10毫米)      | SHIM (t: 0.10mm)         |           |  |  |  |  |               |
|             | F15-06080006-2   | 倒档齿轮填隙片 (t: 0.20毫米)      | SHIM (t: 0.20mm)         |           |  |  |  |  |               |
|             | F15-06080006-3   | 倒档齿轮填隙片 (t: 0.30毫米)      | SHIM (t: 0.30mm)         |           |  |  |  |  |               |
|             | F15-06080006-4   | 倒档齿轮填隙片 (t: 0.40毫米)      | SHIM (t: 0.40mm)         |           |  |  |  |  |               |
|             | F15-06080006-5   | 倒档齿轮填隙片 (t: 0.50毫米)      | SHIM (t: 0.50mm)         |           |  |  |  |  |               |
| 16          | GB/T276-6005/P63 | 深沟球轴承 6005               | BEARING 6005             | 1         |  |  |  |  |               |
| 17          | F15-06080002     | 水下壳体盖O型圈A                | O-RING A, COVER          | 1         |  |  |  |  |               |
| 18          | F15-06080003     | 水下壳体盖O型圈B                | O-RING B, COVER          | 1         |  |  |  |  |               |
| 19          | F15-06080001     | 水下装置壳体盖                  | COVER, LOWER CASING      | 1         |  |  |  |  |               |
| 20          | GB/T290 HK1712   | 滚针轴承 HK1712              | BEARING HK1712           | 1         |  |  |  |  |               |
| 21          | F15-06080004     | 螺旋桨轴油封17X30X6 (单层)       | OIL SEAL                 | 2         |  |  |  |  |               |
| 22          | F15-06080000     | 水上装置壳体盖组件                | COVER ASSY, LOWER CASING | 1         |  |  |  |  |               |
| 23          | GB/T97.1-6       | 平垫圈 6                    | WASHER 6                 | 2         |  |  |  |  |               |
| 24          | GB/T5783-M6X20   | 六角螺栓 M6X20               | BOLT, HEXAGON M6X20      | 2         |  |  |  |  |               |
| 25          | F15-06000005     | 驱动轴座密封垫                  | WASHER                   | 1         |  |  |  |  |               |
| 26          | GB/T290 F1420    | 滚针轴承 F1420               | BEARING                  | 1         |  |  |  |  |               |
| 27          | F15-06000006     | 长尼龙套管                    | BUSHING, NYLON           | 1         |  |  |  |  |               |
| 28          | F15-06020001     | 驱动轴座                     | BASE, DRIVE SHAFT        | 1         |  |  |  |  |               |
| 29          | F15-06020004     | O型圈                      | O-RING                   | 1         |  |  |  |  |               |
| 30          | GB/T97.1-8       | 平垫圈 8                    | WASHER 8                 | 2         |  |  |  |  |               |



零部件名称: 水下装置壳体 & 驱动系统 2

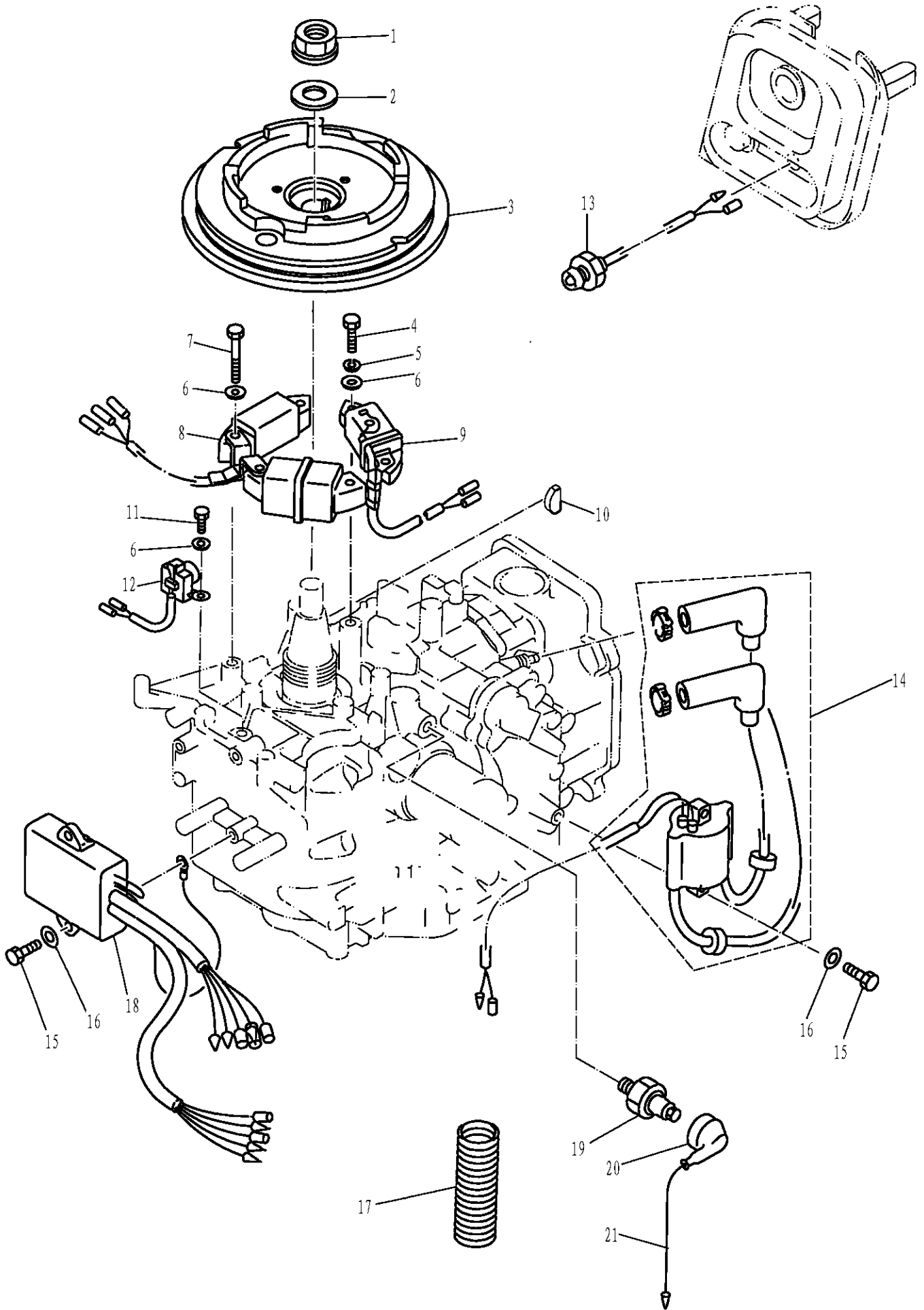
PARTS NAME: LOWER CASING & DRIVE 2





零部件名称: 电气1

PARTS NAME: ELECTRICAL 1



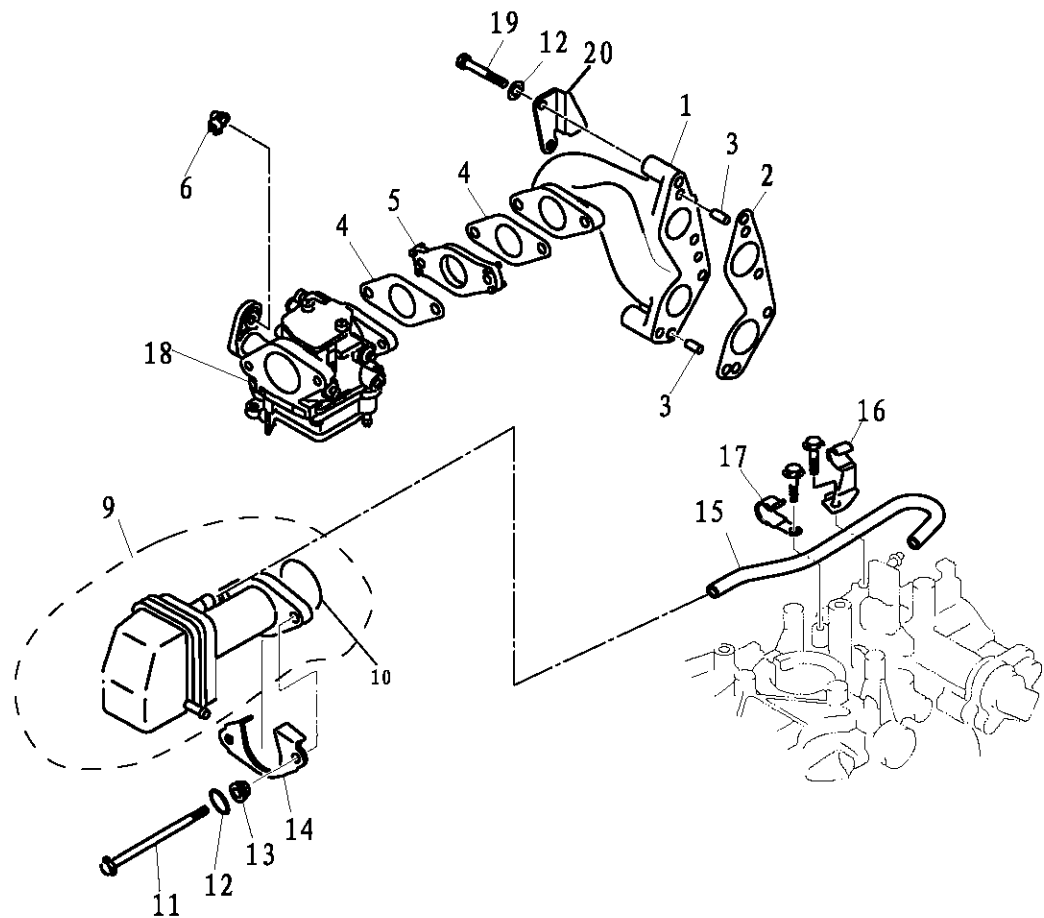


零部件名称:

进气系统

PARTS NAME:

INTAKE



| SN.<br>参照号码 | PART NO.<br>零件编号    | DESCRIPTION<br>零件名称(中文) | DESCRIPTION<br>零件名称(英文)       | QTY<br>数量 |  |  |  | REMARKS<br>备注 |
|-------------|---------------------|-------------------------|-------------------------------|-----------|--|--|--|---------------|
| 1           | F15-07000008        | 进气歧管                    | MANIFOLD, INTAKE              | 1         |  |  |  |               |
| 2           | F15-07000007        | 进气歧管密封垫片                | GASKET, MANIFOLD              | 1         |  |  |  |               |
| 3           | F15-00000006        | 定位销 $\phi 6 \times 12$  | PIN, DOWEL $\phi 6 \times 12$ | 2         |  |  |  |               |
| 4           | F15-07000017        | 化油器纸垫                   | GASKET, CARBURETOR            | 2         |  |  |  |               |
| 5           | F15-07000018        | 化油器绝缘垫                  | INSULATOR, CARBURETOR         | 1         |  |  |  |               |
| 6           | F15-05010003        | 阻风门杆接头                  | JOINT, CHOKE LEVER            | 1         |  |  |  |               |
|             |                     |                         |                               |           |  |  |  |               |
| 9           | F15-07100000        | 进气消音器组件                 | SILENCER ASSY, INTAKE         | 1         |  |  |  |               |
| 10          | GB/T3452.1-35.5x1.8 | O型圈35.5x1.8             | O-RING 35.5x1.8               | 1         |  |  |  |               |
| 11          | GB/T5782-M6x100     | 六角螺栓M6x100              | HEXAGON BOLT M6x100           | 2         |  |  |  |               |
| 12          | GB/T97.1-6          | 平垫圈6                    | WASHER, PLATE 6               | 6         |  |  |  |               |
| 13          | F15-07000021        | 进气消声器衬管                 | BUSHER, INTAKE SILENCER       | 2         |  |  |  |               |
| 14          | F15-07000022        | 进气消声器垫板                 | PLATE, INTAKE SILENCER        | 1         |  |  |  |               |
| 15          | F15-07010017        | 呼吸器弯管                   | PIPE, BREATHER                | 1         |  |  |  |               |
| 16          | F15-07010016        | 管卡 B                    | CLAMP B                       | 1         |  |  |  |               |
| 17          | F15-07010015        | 管卡 A                    | CLAMP A                       | 1         |  |  |  |               |
| 18          | F15-07090000        | 化油器                     | CARBURETOR                    | 1         |  |  |  |               |
| 19          | GB/T5783-M6x40      | 六角螺栓M6x40               | BOLT M6x40                    | 4         |  |  |  |               |
| 20          | F15-07000009        | 滤油杯支架                   | BRACKET, OIL SIEVE            | 1         |  |  |  |               |

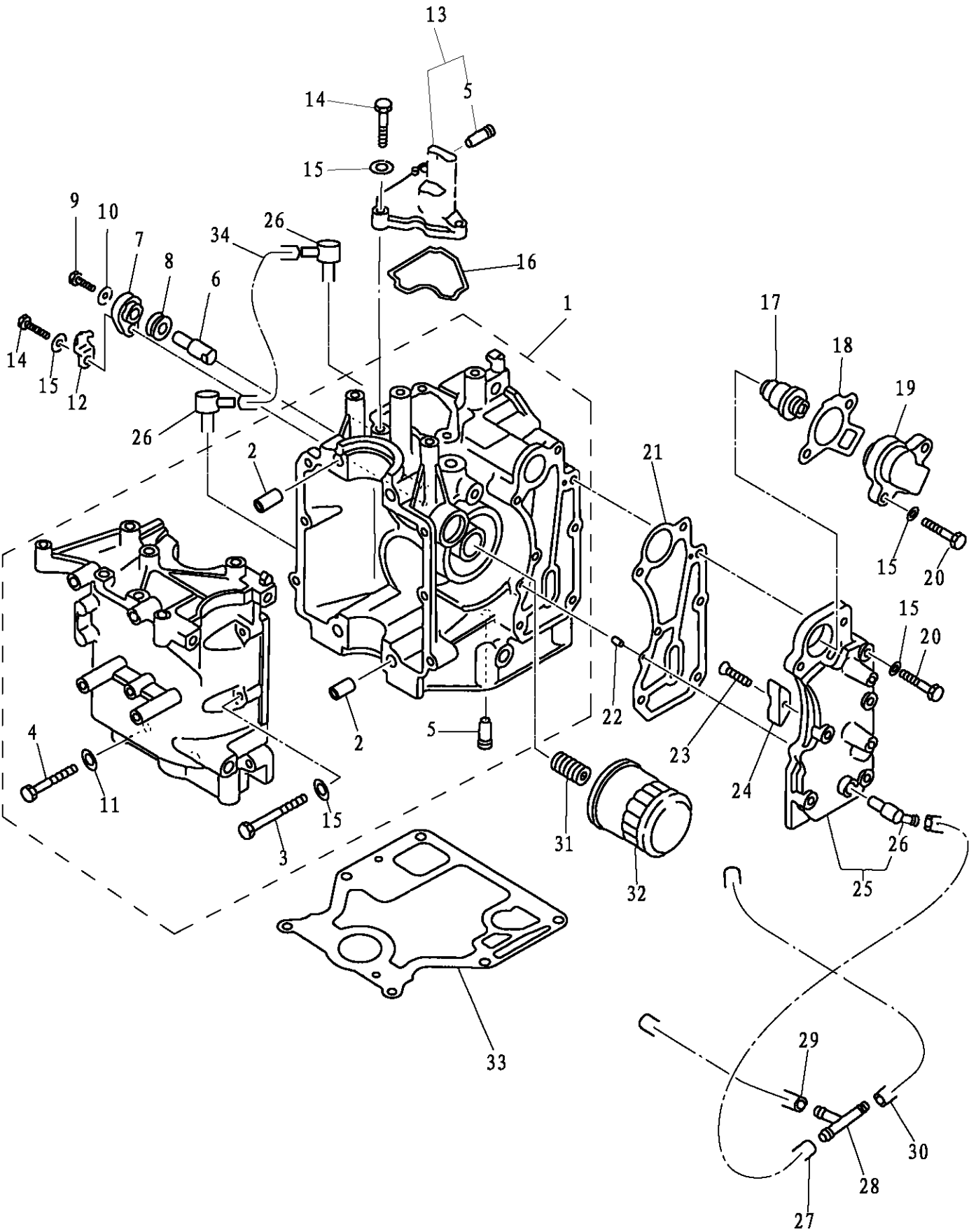


零部件名称:

气缸&曲轴箱1

PARTS NAME:

CYLINDER & CRANKCASE 1











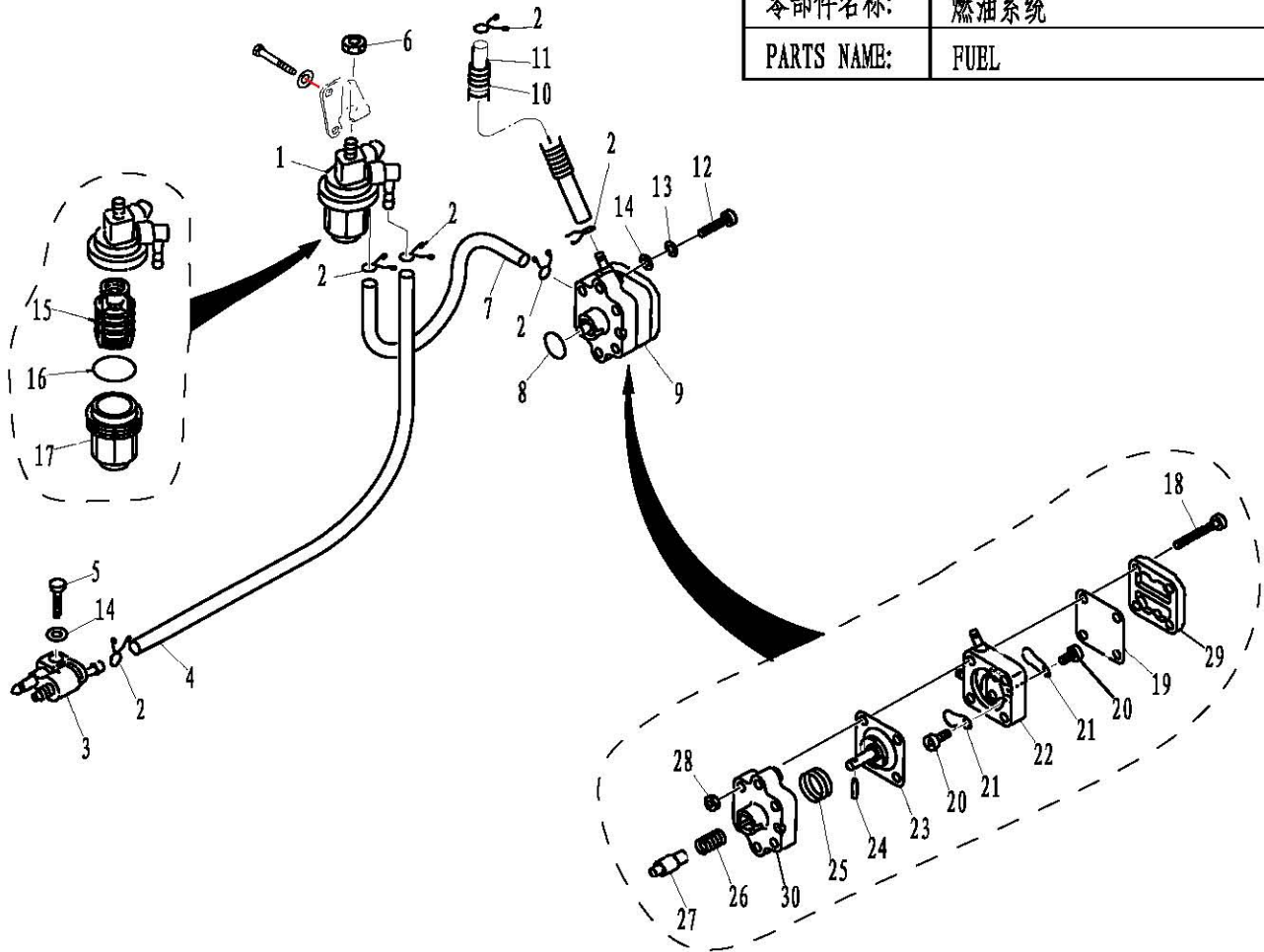


零部件名称:

燃油系统

PARTS NAME:

FUEL



| SN.<br>参照号码 | PART NO.<br>零件编号    | DESCRIPTION<br>零件名称(中文)    | DESCRIPTION<br>零件名称(英文)            | QTY<br>数量 |  |  |  | REMARKS<br>备注         |
|-------------|---------------------|----------------------------|------------------------------------|-----------|--|--|--|-----------------------|
| 1           | F15-07080000        | 滤油杯组件                      | FILTER ASSY                        | 1         |  |  |  |                       |
| 2           | F4-04000030         | 油管夹簧 B                     | SPRING, FUEL PIPE "B"              | 6         |  |  |  |                       |
| 3           | F4-05000200         | 燃油管接头组件                    | FUEL PIPE TIE-IN ASSY              | 1         |  |  |  |                       |
| 4           | F15-05000016        | 燃油管 A $\phi 10x\phi 5x505$ | PIPE, FUEL A                       | 1         |  |  |  |                       |
| 5           | GB/T5783-M6x20      | 六角螺栓M6x20                  | BOLT M6x20                         | 1         |  |  |  |                       |
| 6           | GB/T6170-M8         | 六角螺母M8                     | NUT M8                             | 1         |  |  |  |                       |
| 7           | F15-07000027        | 油泵燃油管(进)                   | HOSE                               | 1         |  |  |  | $\phi 10x\phi 5x145$  |
| 8           | JASO F404-A-24-021  | 燃油泵O形圈                     | O-RING                             | 1         |  |  |  |                       |
| 9           | F15-07140000        | 燃油泵组件                      | FUEL PUMP ASSY                     | 1         |  |  |  |                       |
| 10          | F15-07000026        | 波纹管护套                      | JACKET                             | 1         |  |  |  | $\phi 14x\phi 11x300$ |
| 11          | F15-07000025        | 油泵燃油管(出)                   | HOSE                               | 1         |  |  |  | $\phi 10x\phi 5x380$  |
| 12          | GB/T823-M6x30       | 十字槽小盘头螺钉M6x30              | SCRRW, SMALL PAN HEAD M6x30        | 2         |  |  |  |                       |
| 13          | GB/T93-6            | 弹簧垫圈6                      | WASHER, SPRING 6                   | 2         |  |  |  |                       |
| 14          | GB/T97.1-6          | 平垫圈6                       | WASHER, PLATE 6                    | 3         |  |  |  |                       |
| 15          | F15-07080001        | 滤网罩                        | ELEMENT, FILTER                    | 1         |  |  |  |                       |
| 16          | GB/T3452.1-32.5x1.8 | 滤杯密封圈 $\phi 32.5x1.8$      | WASHER, CUP FILTER $\phi 32.5x1.8$ | 1         |  |  |  |                       |
| 17          | F15-07080002        | 滤杯                         | CUP, FILTER                        | 1         |  |  |  |                       |
| 18          | GB/T818-M4x30       | 十字槽盘头螺钉M4x30               | SCRRW, PAN HEAD M4x30              | 4         |  |  |  |                       |
| 19          | F4-04090004         | 上隔膜                        | DIAPHRAGM, TOP                     | 1         |  |  |  |                       |
| 20          | F4-04090011         | 阀片螺钉M3x5                   | SCRRW, VALVE                       | 2         |  |  |  |                       |





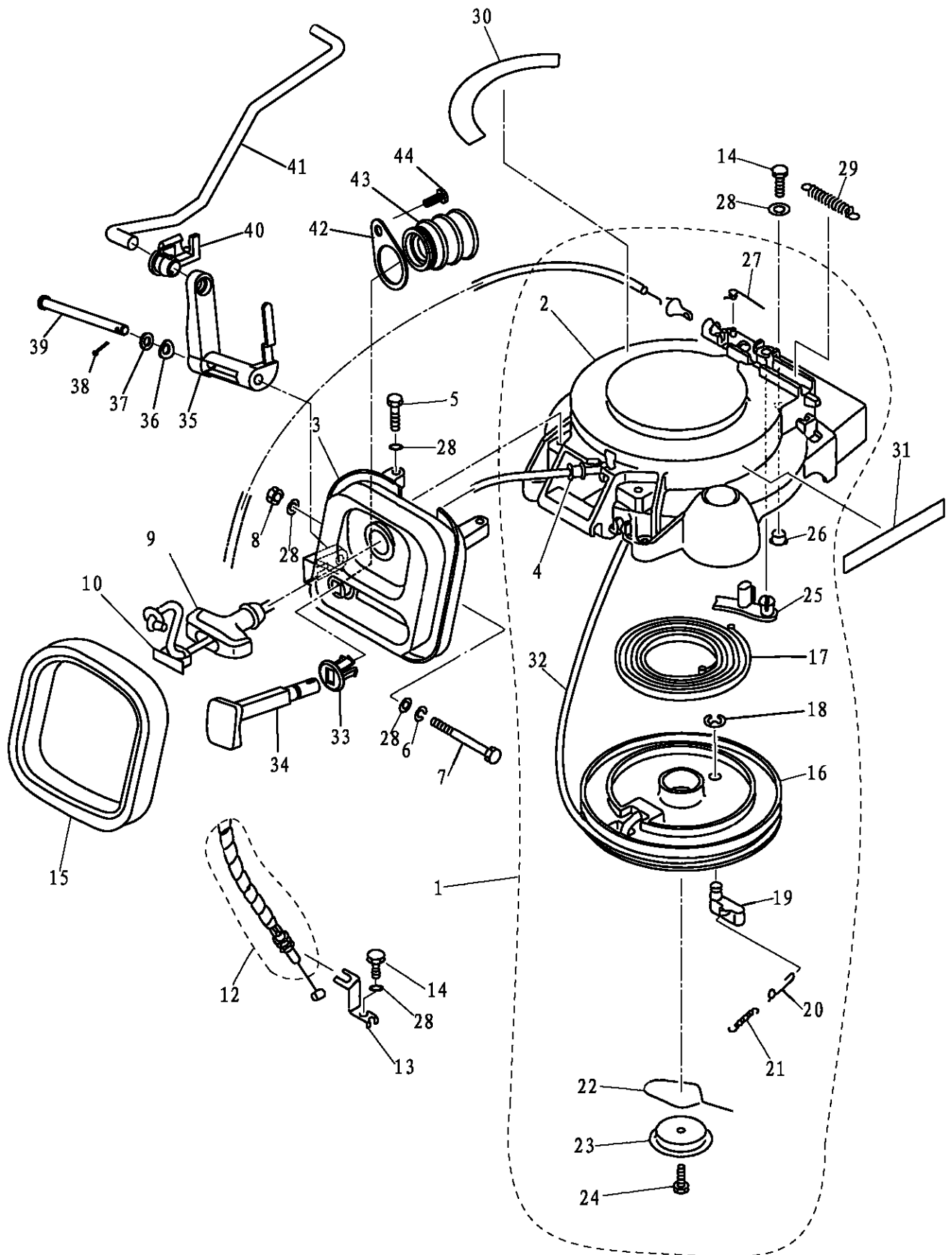


零部件名称:

起动机

PARTS NAME:

STARTER



零部件名称:

起动器

PARTS NAME:

STARTER

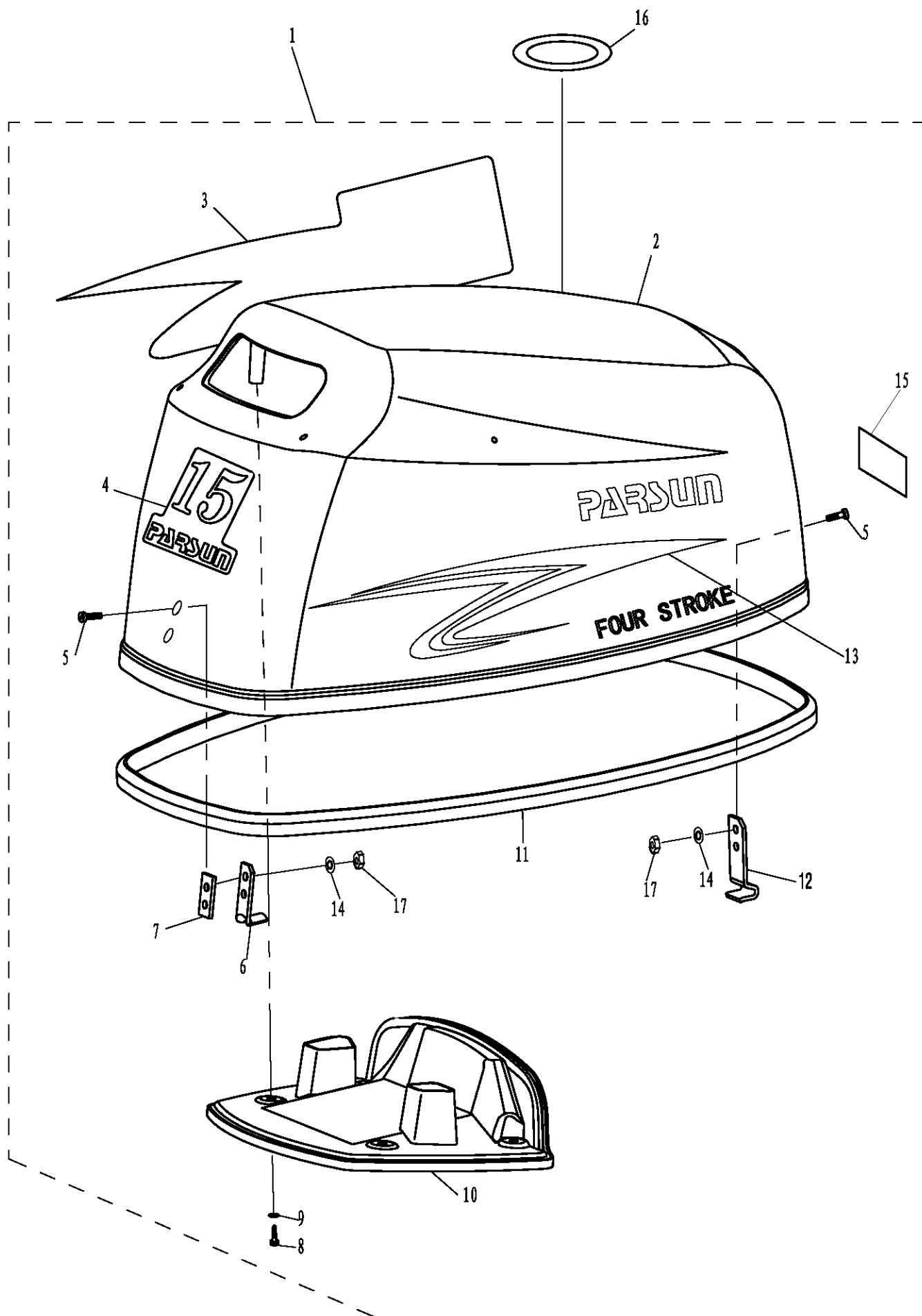
| SN.<br>参照号码 | PART NO.<br>零件编号 | DESCRIPTION<br>零件名称(中文) | DESCRIPTION<br>零件名称(英文)   | QTY<br>数量 |  |  |  | REMARKS<br>备注 |
|-------------|------------------|-------------------------|---------------------------|-----------|--|--|--|---------------|
| 1           | F15-07130000     | 起动罩组件                   | STARTER ASSY              | 1         |  |  |  |               |
| 2           | F15-07130101     | 起动罩外壳                   | CASE, STARTER             | 1         |  |  |  |               |
| 3           | F15-07130300     | 起动架组合                   | FRAME, STARTER            | 1         |  |  |  |               |
| 4           | F4-04130013      | 起动绳导向管                  | COLLAR                    | 1         |  |  |  |               |
| 5           | GB/T5783-M6x25   | 六角螺栓M6x25               | BOLT M6x25                | 2         |  |  |  |               |
| 6           | GB/T93-6         | 弹簧垫圈6                   | WASHER, SPRING 6          | 1         |  |  |  |               |
| 7           | GB/T5782-M6x90   | 六角螺栓M6x90               | BOLT M6x90                | 1         |  |  |  |               |
| 8           | GB/T6170-M6      | 六角螺母M6                  | NUT M6                    | 1         |  |  |  |               |
| 9           | F4-04130101      | 起动手柄                    | HANDLE, STARTER           | 1         |  |  |  |               |
| 10          | F4-04130102      | 起动手柄盖                   | COVER                     | 1         |  |  |  |               |
| 12          | F15-05000028     | 制动器钢索组件                 | ARRESTER TIGHTWIRE ASSY   | 1         |  |  |  |               |
| 13          | F15-05000027     | 制动器钢索固定架                | FRAME, ARRESTER TIGHTWIRE | 1         |  |  |  |               |
| 14          | GB/T5783-M6x20   | 六角螺栓M6x20               | BOLT M6x20                | 3         |  |  |  |               |
| 15          | F15-07130304     | 发泡密封圈                   | SEAL, FROTHY RUBBER       | 1         |  |  |  |               |
| 16          | F15-07130201     | 起动轮                     | WHEEL, START-UP           | 1         |  |  |  |               |
| 17          | F15-07130107     | 涡形弹簧                    | SPRING, VOLUTE            | 1         |  |  |  |               |
| 18          | GB/T896-8        | 开口档圈8                   | CIRCLIP 8                 | 1         |  |  |  |               |
| 19          | F15-07130202     | 起动卡瓣                    | PAWL, DRIVE               | 1         |  |  |  |               |
| 20          | F15-07130204     | 卡瓣钢丝连杆                  | LINK, PAWL                | 1         |  |  |  |               |
| 21          | F15-07130203     | 卡瓣拉簧                    | SPRING, TENSION           | 1         |  |  |  |               |
| 22          | F15-07130002     | 起动压板夹簧                  | SPRING, DRIVE PLATE       | 1         |  |  |  |               |
| 23          | F15-07130001     | 起动压板                    | PLATE, DRIVE              | 1         |  |  |  |               |
| 24          | GB/T5783-M6x16   | 六角螺栓M6x16               | BOLT M6x16                | 1         |  |  |  |               |
| 25          | F15-07130105     | 制动器                     | ARRESTER                  | 1         |  |  |  |               |
| 26          | F15-07130102     | 带肩衬套                    | BUSH, SHOULDER            | 3         |  |  |  |               |
| 27          | F15-07130106     | 制动器扭簧                   | SPRING, ARRESTER          | 1         |  |  |  |               |
| 28          | GB/T97.1-6       | 平垫圈6                    | WASHER PLATE 6            | 8         |  |  |  |               |
| 29          | F15-05000029     | 制动器钢索拉簧                 | TIGHTWIRE, SPRING         | 1         |  |  |  |               |
| 30          | F15-12000002     | 标贴2                     | MARK 2                    | 1         |  |  |  |               |
| 31          | F15-12000003     | 标贴3                     | MARK 3                    | 1         |  |  |  |               |
| 32          | F15-07130205     | 起动绳(φ4x1.78米)           | START LING                | 1         |  |  |  |               |
| 33          | F15-05010001     | 阻风门导向套                  | BUSH                      | 1         |  |  |  |               |
| 34          | F15-07130306W    | 阻风门手柄B                  | HANDLE "B"                | 1         |  |  |  |               |
| 35          | F15-07130309W    | 阻风门摇臂                   | ROCKER                    | 1         |  |  |  |               |
| 36          | F15-07130312W    | 鞍形弹性垫圈5                 | WASHER , SPRING SADDLE    | 1         |  |  |  |               |
| 37          | F15-07130311W    | 尼龙垫圈5                   | WASHER , NYLON            | 2         |  |  |  |               |
| 38          | GB/T91-1.6X12    | 开口销1.6×12               | COTTER PIN 1.6x12         | 1         |  |  |  |               |
| 39          | F15-07130310W    | 摇臂销轴                    | SHAFT , ROCKER            | 1         |  |  |  |               |
| 40          | F15-07000016W    | 阻风门连杆接头                 | TIE-IN                    | 1         |  |  |  |               |
| 41          | F15-07130315W    | 阻风门连杆II                 | CONNECTING ROD II         | 1         |  |  |  |               |
| 42          | F15-07130308W    | 护套定位板                   | PLATE                     | 1         |  |  |  |               |
| 43          | F15-07130307W    | 波纹护套B                   | BUSH , WAVE               | 1         |  |  |  |               |
| 44          | GB/T845-ST4.8X9  | 十字槽盘头自攻螺钉ST4.8×9        | SCREW , PAN HEAD ST4.8x9  | 1         |  |  |  |               |

零部件名称:

顶罩组件

PARTS NAME:

TOP COWLING ASSY





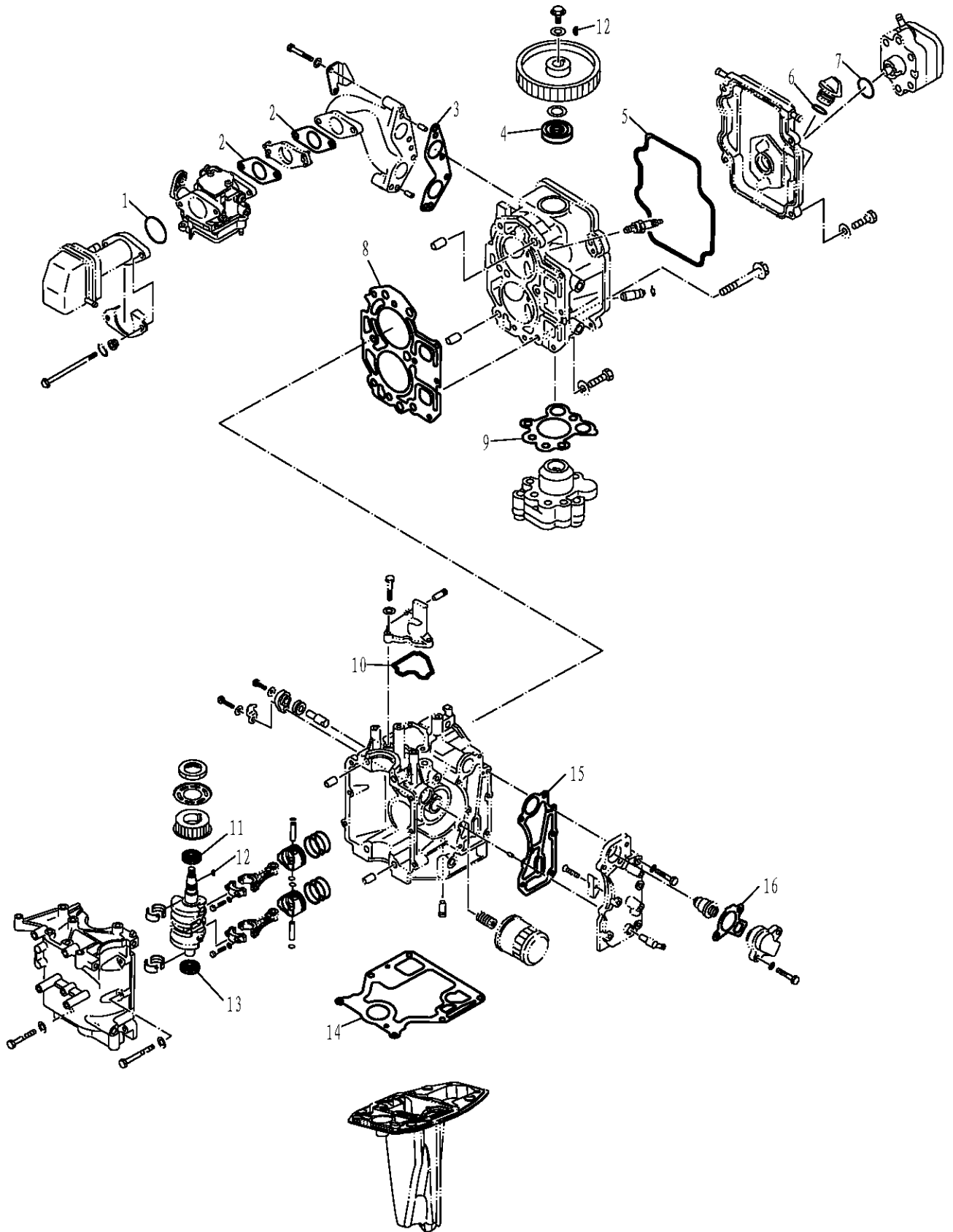


零部件名称:

附录1(修理件)

PARTS NAME:

APPENDIX 1 (REPAIR KIT)





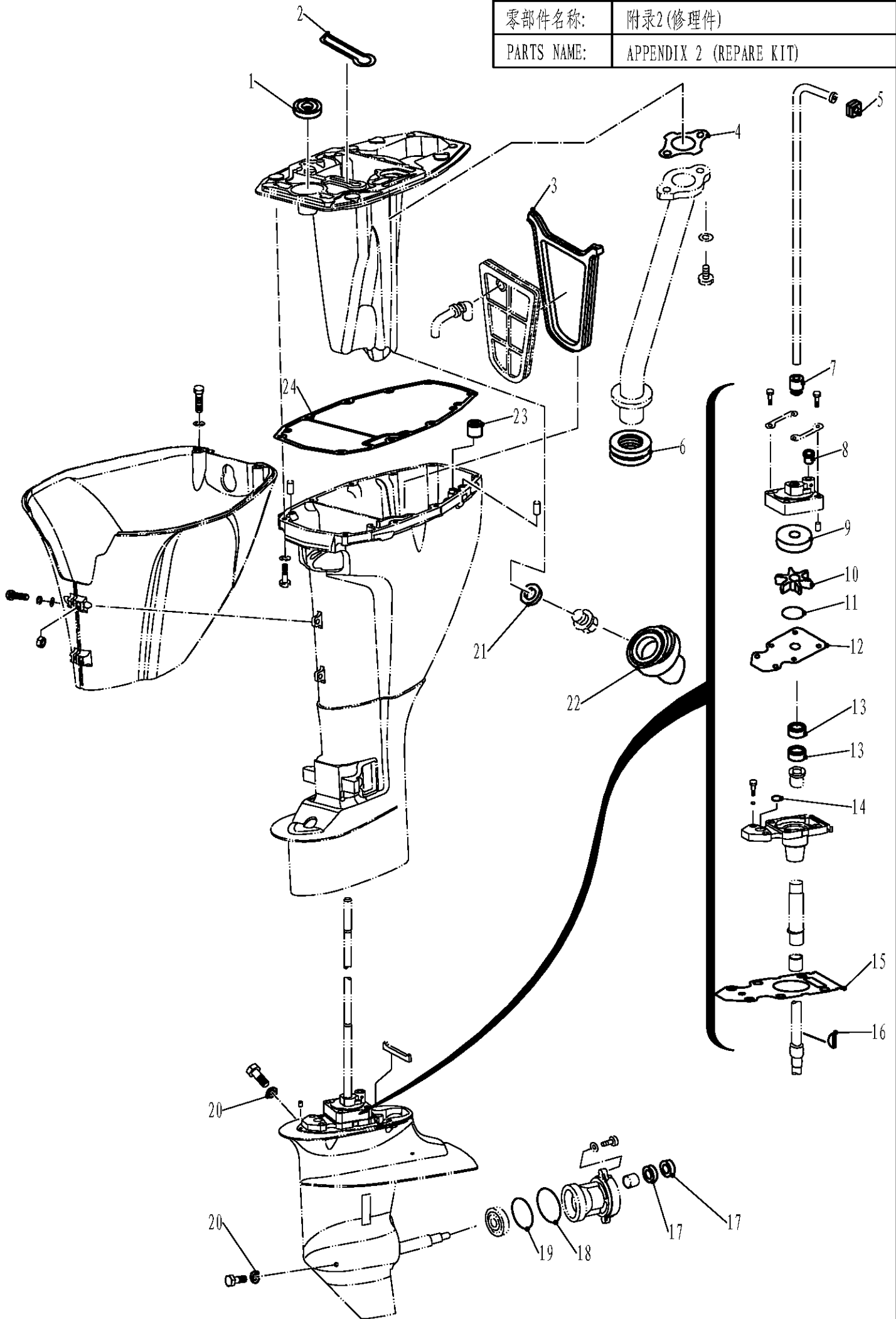


零部件名称:

附录2(修理件)

PARTS NAME:

APPENDIX 2 (REPAIR KIT)



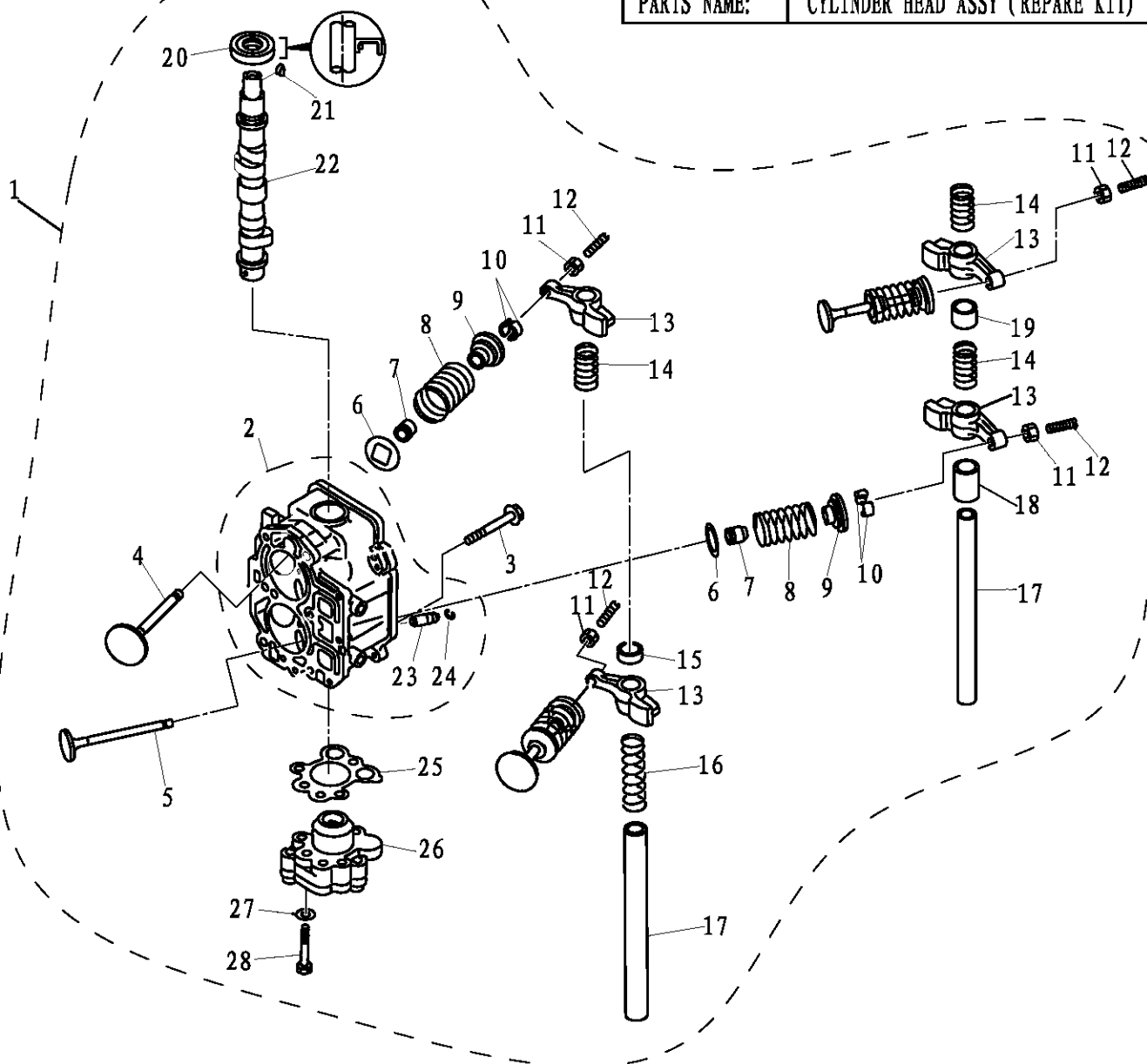


零部件名称:

气缸头总成(维修件)

PARTS NAME:

CYLINDER HEAD ASSY (REPAIR KIT)

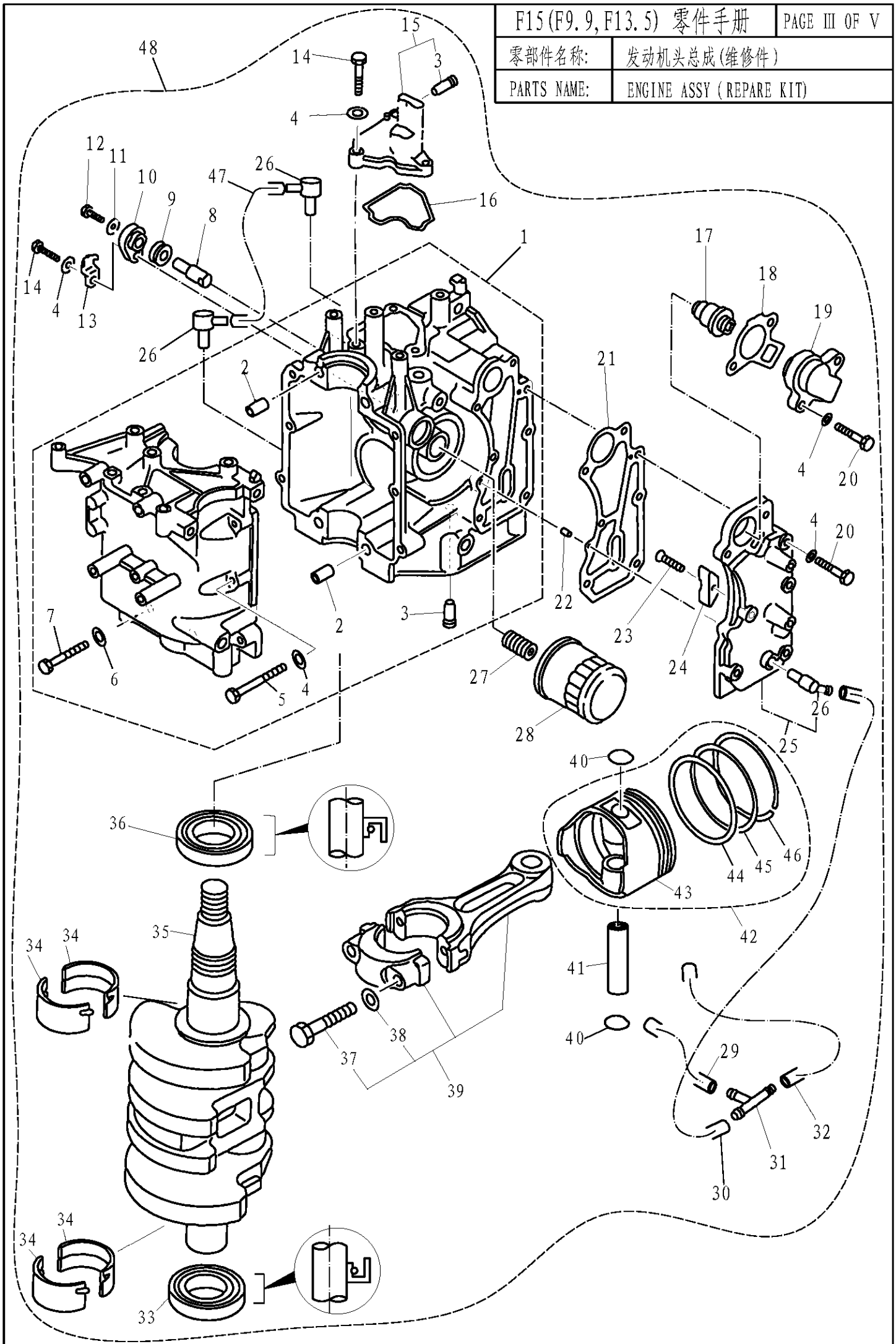


| SN.<br>参照号码 | PART NO.<br>零件编号 | DESCRIPTION<br>零件名称(中文) | DESCRIPTION<br>零件名称(英文)   | QTY<br>数量 |  |  |  |  | REMARKS<br>备注 |
|-------------|------------------|-------------------------|---------------------------|-----------|--|--|--|--|---------------|
| 1           | F15-07040000     | 气缸头总成                   | CYLINDER HEAD ASSY        | 1         |  |  |  |  |               |
| 2           | F15-07040100     | 气缸头组件                   | CYLINDER HEAD SUBASSEMBLY | 1         |  |  |  |  |               |
| 3           | F15-07000028     | 六角头凸缘螺栓M8X75            | BOLT, FLANGE              | 6         |  |  |  |  |               |
| 4           | F15-07040001     | 进气门                     | VALVE, INTAKE             | 2         |  |  |  |  |               |
| 5           | F15-07040002     | 排气门                     | VALVE, EXHAUST            | 2         |  |  |  |  |               |
| 6           | F15-07040004     | 气门弹簧垫板                  | SEAL, VALVE SPRING        | 4         |  |  |  |  |               |
| 7           | F166-010003      | 气门油封                    | SEAL, VALVE STEM          | 4         |  |  |  |  |               |
| 8           | F15-07040005     | 气门弹簧                    | SPRING, VALVE             | 4         |  |  |  |  |               |
| 9           | F15-07040006     | 气门弹簧座                   | RETAINER, VALVE SPRINGRE  | 4         |  |  |  |  |               |
| 10          | F15-07040007     | 气门弹簧卡圈                  | COTTER, VALVE             | 8         |  |  |  |  |               |
| 11          | F15-07040304     | 锁紧螺母                    | LOCK NUT                  | 4         |  |  |  |  |               |
| 12          | F15-07040303     | 调整螺钉                    | SCREW, VALVE ADJUSTING    | 4         |  |  |  |  |               |
| 13          | F15-07040301     | 摇臂                      | ROCKER                    | 4         |  |  |  |  |               |
| 14          | F15-07040014     | 摇臂轴弹簧B                  | SPRING, ROCKER B          | 3         |  |  |  |  |               |
| 15          | F15-07040009     | 进气门垫管                   | BUSHER, VALVE INTAKE      | 1         |  |  |  |  |               |
| 16          | F15-07040013     | 摇臂轴弹簧A                  | SPRING, ROCKER A          | 1         |  |  |  |  |               |



零部件名称: 发动机头总成(维修件)

PARTS NAME: ENGINE ASSY (REPAIR KIT)



零部件名称:

发动机头总成(维修件)

PARTS NAME:

ENGINE ASSY (REPAIR KIT)

| SN.<br>参照号码 | PART NO.<br>零件编号 | DESCRIPTION<br>零件名称(中文)      | DESCRIPTION<br>零件名称(英文)     | QTY<br>数量 |  |  |  | REMARKS<br>备注 |
|-------------|------------------|------------------------------|-----------------------------|-----------|--|--|--|---------------|
| 1           | F15-07010000     | 机体机座组件                       | CRANKCASE ASSY              | 1         |  |  |  |               |
| 2           | F15-07000001     | 空心定位销 $\phi$ 10x14           | PIN, HOLLOW                 | 2         |  |  |  |               |
| 3           | F15-07010006     | 吸油管接头                        | PIPE, JOINT                 | 2         |  |  |  |               |
| 4           | GB/T97.1-6       | 平垫圈6                         | WASHER 6                    | 17        |  |  |  |               |
| 5           | GB/T5783-M6x35   | 六角螺栓M6X35                    | BOLT, HEXAGON M6x35         | 6         |  |  |  |               |
| 6           | GB/T97.1-8       | 平垫圈8                         | WASHER 8                    | 4         |  |  |  |               |
| 7           | GB/T5783-M8x55   | 六角螺栓M8X55                    | BOLT, HEXAGON M8x55         | 4         |  |  |  |               |
| 8           | F15-07010008     | 机体阳极                         | ANODE                       | 1         |  |  |  |               |
| 9           | F15-07010009     | 阳极密封圈                        | GROMMET, ANODE              | 1         |  |  |  |               |
| 10          | F15-07010011     | 阳极盖板                         | COVER, ANODE                | 1         |  |  |  |               |
| 11          | GB/T97.1-5       | 平垫圈5                         | WASHER 5                    | 1         |  |  |  |               |
| 12          | GB/T818-M5x12    | 十字槽盘头螺钉M5X12                 | SCREW, PAN HEAD M5x12       | 1         |  |  |  |               |
| 13          | F15-07010012     | 阳极锁止片                        | PLATE, ANODE                | 1         |  |  |  |               |
| 14          | GB/T5783-M6x20   | 六角螺栓M6X20                    | BOLT M6x20                  | 4         |  |  |  |               |
| 15          | F15-07010200     | 呼吸器组件                        | BREATHER ASSY               | 1         |  |  |  |               |
| 16          | F15-07010014     | 呼吸器密封圈                       | BREATHER GASKET             | 1         |  |  |  |               |
| 17          | F15-04000036     | 节温器                          | THERMOSTAT                  | 1         |  |  |  |               |
| 18          | F15-07010022     | 节温器盖垫                        | GASKET, THERMOSTAT          | 1         |  |  |  |               |
| 19          | F15-07010021     | 节温器盖                         | COVER, THERMOSTAT           | 1         |  |  |  |               |
| 20          | GB/T5783-M6x30   | 六角螺栓M6X30                    | BOLT M6x30                  | 7         |  |  |  |               |
| 21          | F15-07010018     | 排气盖板垫                        | GASKET, EXHAUST OUTER COVER | 1         |  |  |  |               |
| 22          | F15-00000013     | 定位销 $\phi$ 4x12              | PIN                         | 2         |  |  |  |               |
| 23          | GB/T820-M4x12    | 十字半沉头螺钉M4X12                 | SCREW M4x12                 | 1         |  |  |  |               |
| 24          | F15-07010026     | 排气盖板阳极                       | ANODE                       | 1         |  |  |  |               |
| 25          | F15-07010300     | 排气盖板组件                       | EXHAUST OUTER COVER ASSY    | 1         |  |  |  |               |
| 26          | F15-04000005     | 水嘴                           | WATER NIPPLE                | 3         |  |  |  |               |
| 27          | F15-07010003     | 机滤螺柱                         | BOLT UNION                  | 1         |  |  |  |               |
| 28          | F15-07010023     | 机油滤清器                        | OIL CLEANER                 | 1         |  |  |  |               |
| 29          | F15-05000013     | 水管 B $\phi$ 10x $\phi$ 5x172 | HOSE B                      | 1         |  |  |  |               |
| 30          | F15-05000012     | 水管 A $\phi$ 10x $\phi$ 5x67  | HOSE A                      | 1         |  |  |  |               |
| 31          | F15-05000011     | 三通                           | THREE-WAY PIPE              | 1         |  |  |  |               |
| 32          | F15-05000014     | 水管 C $\phi$ 10x $\phi$ 5x300 | HOSE C                      | 1         |  |  |  |               |
| 33          | F15-07030007     | 曲轴油封 B 35x47x6.5-R           | OIL SEAL B                  | 1         |  |  |  |               |
| 34          | F15-07010024     | 轴瓦                           | MAIN BEARING                | 4         |  |  |  |               |
| 35          | F15-07030000     | 曲轴组件                         | CRANK ASSY                  | 1         |  |  |  |               |
| 36          | F15-07030006     | 曲轴油封 A 25x40x6.5-L           | OIL SEAL A                  | 1         |  |  |  |               |
| 37          | F15-07020103     | 连杆螺栓                         | BOLT, CONNECTING ROD        | 2         |  |  |  |               |
| 38          | F15-07020104     | 连杆螺栓垫片                       | WASHER, PLATE               | 2         |  |  |  |               |
| 39          | F15-07020100     | 连杆组件                         | CONNECTING ROD ASSY         | 1         |  |  |  |               |
| 40          | F15-07020005     | 活塞销挡圈                        | CIRCLIP                     | 2         |  |  |  |               |
| 41          | F15-07020006     | 活塞销                          | PIN, PISTON                 | 1         |  |  |  |               |
| 42          | F15-07020200     | 活塞组件                         | PISTON ASSY                 | 1         |  |  |  |               |
| 43          | F15-07020001     | 活塞                           | PISTON                      | 1         |  |  |  |               |

